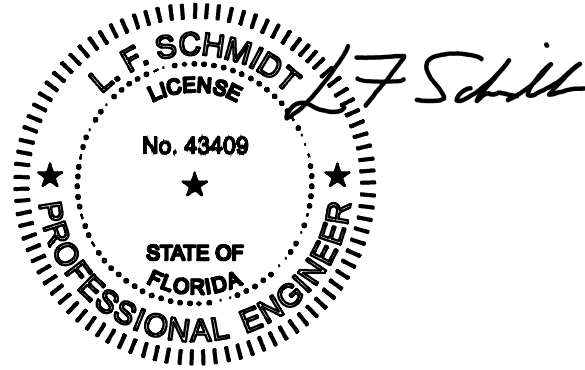


THERMA-TRU[®] DOORS

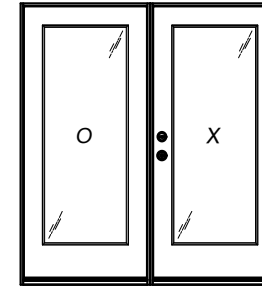
Fiber-Classic[®] & Smooth-Star.

COMPOSITE EDGE FLUSH GLAZED FIBERGLASS SINGLE DOOR w/ SIDELITE(S) INSWING/OUTSWING "IMPACT"

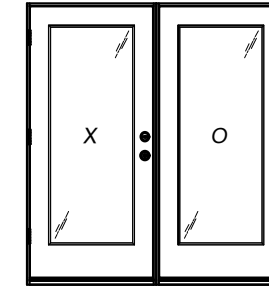


This item has been digitally signed and sealed by L. F. Schmidt, P.E. on the date adjacent to the seal. Printed copies of this document are not considered signed and sealed and the signature must be verified on any electronic copies.

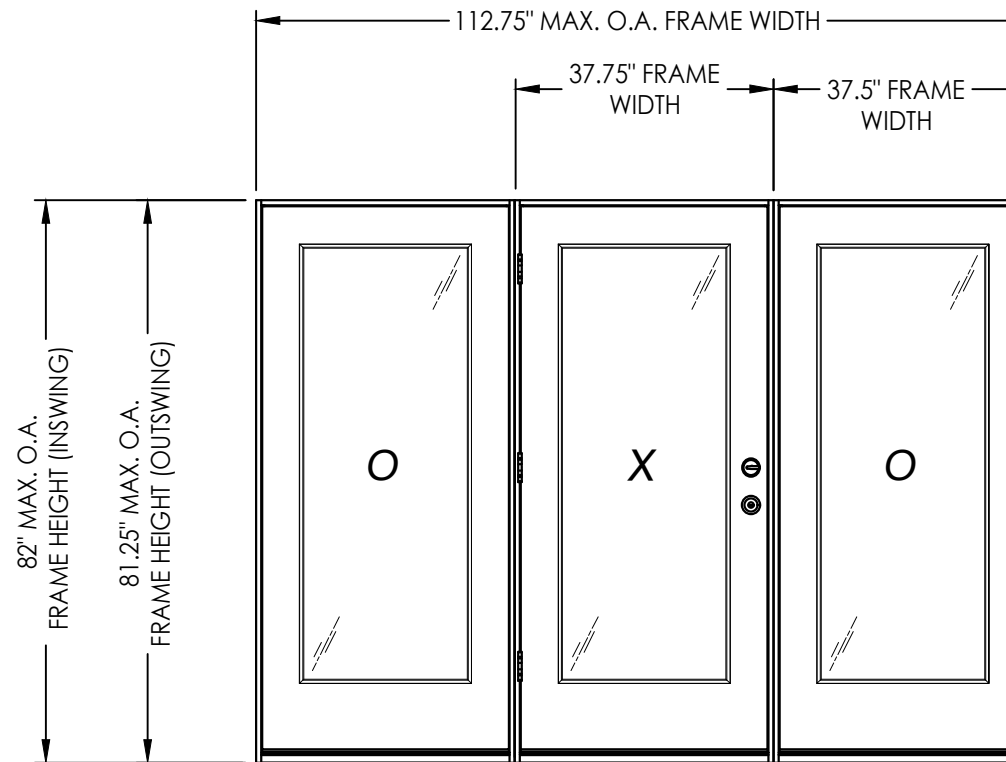
THIS PRODUCT APPROVAL IS VALID ONLY FOR THE STATE OF FLORIDA



OX



XO



GENERAL NOTES

- This product has been evaluated and is in compliance with the 8th Edition (2023) Florida Building Code (FBC) structural requirements excluding the "High Velocity Hurricane Zone" (HVHZ).
- Product anchors shall be as listed and spaced as shown on details. Anchor embedment to base material shall be beyond wall dressing or stucco.
- When used in areas requiring wind borne debris protection this product complies with FBC Sections 1609.1.2 & R301.2.1.2 and does not require an impact resistant covering. This product meets missile level "D" and excludes Wind Zone 4 as defined in ASTM E1996 and FBC Sections 1609.1.2.2 & R301.2.1.2.1.
- For 2x stud framing construction, anchoring of these units shall be the same as that shown for 2x buck masonry construction.
- Site conditions that deviate from the details of this drawing require further engineering analysis by a licensed engineer or registered architect.
- Fiber-Classic & Smooth-Star Door panel require the use of "J" part numbers and must be stained or painted within six months of installation.

TABLE OF CONTENTS

SHEET #	DESCRIPTION	SHEET #	
1	Typical Elevations, Design Pressures & General Notes	8	Horizontal Cross Sections
2	Door Panel Details	9	Vertical Cross Sections (Thresholds)
3	Sidelite Panel & Glazing Details	10	Buck Anchoring
4	Elevations	11	Frame Anchoring
5	Horizontal & Vertical Cross Sections (2X Buck)	12	Hardware Details
6	Horizontal & Vertical Cross Sections (1X Buck)	13	Bill of Materials & Components
7	Horizontal & Vertical Cross Sections (Direct to Masonry)		

CONFIGURATION	JAMB MATERIAL	DESIGN PRESSURE (PSF) INSWING		DESIGN PRESSURE (PSF) OUTSWING	
		POSITIVE	NEGATIVE	POSITIVE	NEGATIVE
OX, XO, OXO	FJ PINE	+45.0	-50.0	+50.0	-50.0
	COMPOSITE	+50.0	-50.0	+50.0	-50.0

Documents Prepared By:
Lyndon F. Schmidt
P.E. No. 43409

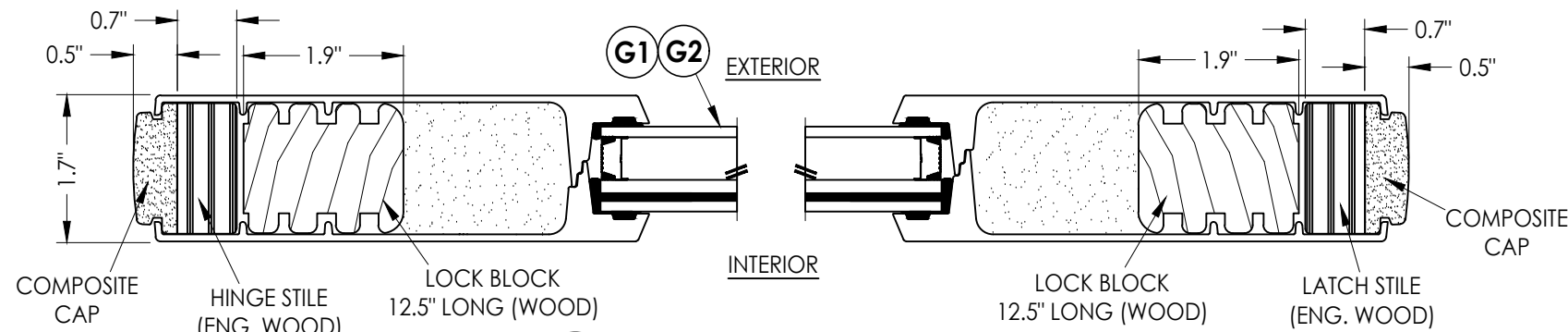
RW BUILDING CONSULTANTS, INC.
P.O. Box 230, Vairico, FL 33595
Phone No.: 813.659.9197
FBPE Registry No. 9813

PRODUCT: THERMA-TRU
FIBERGLASS DOOR
PART OR ASSEMBLY:
TYPICAL ELEVATION, DESIGN
PRESSURES & GENERAL NOTES

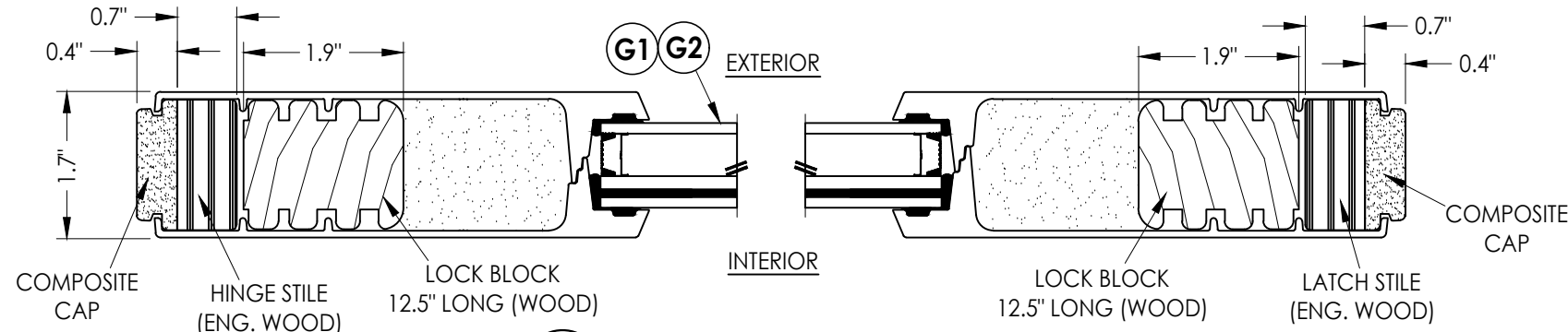
NO.	DATE	BY	REVISIONS

DATE: 6/17/24
SCALE: N.T.S.
DWG. BY: LFS
CHK. BY: RW
DRAWING NO.:
FL-46832.2
SHEET 1 OF 13

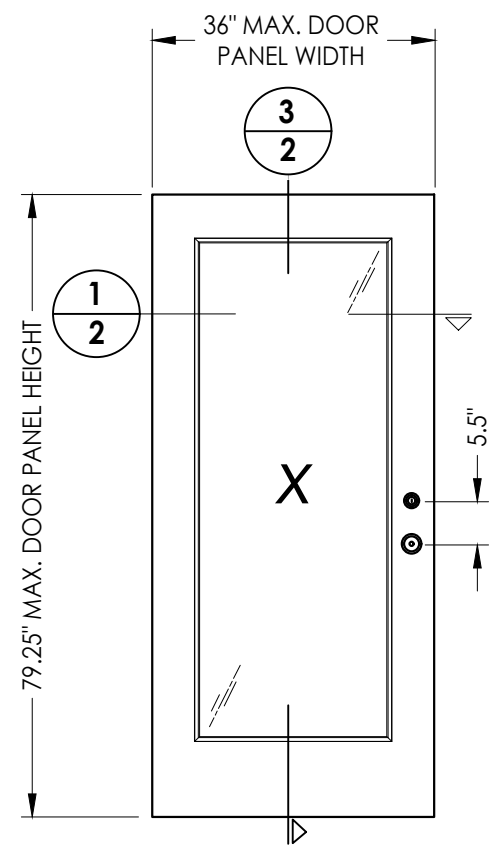
Z:\2023 FBC Drawings\Therma-Tru\FL-46832\FL-46832.1-3.dwg



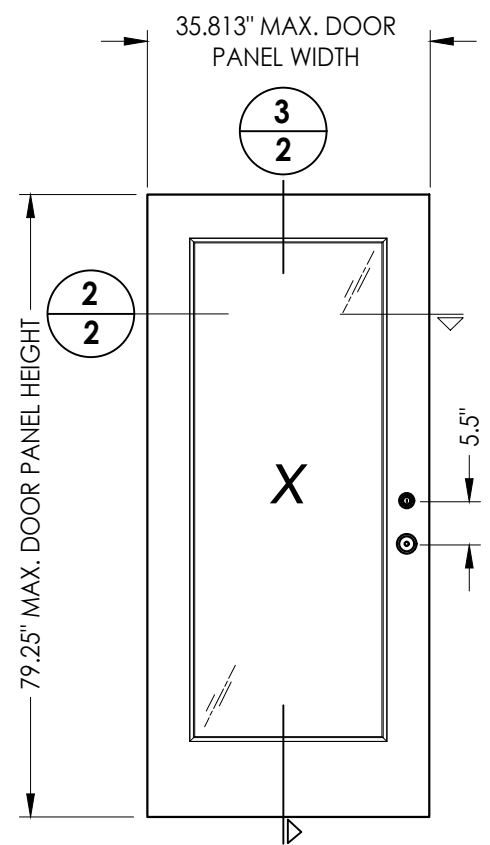
1
2 HORIZONTAL CROSS SECTION



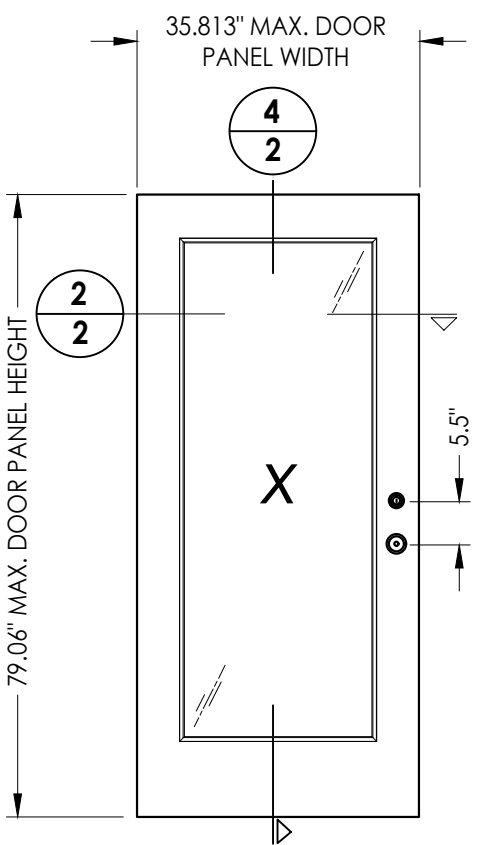
2
2 HORIZONTAL CROSS SECTION



40 FIBERGLASS DOOR PANEL
BOOK DOOR - COMPOSITE EDGE

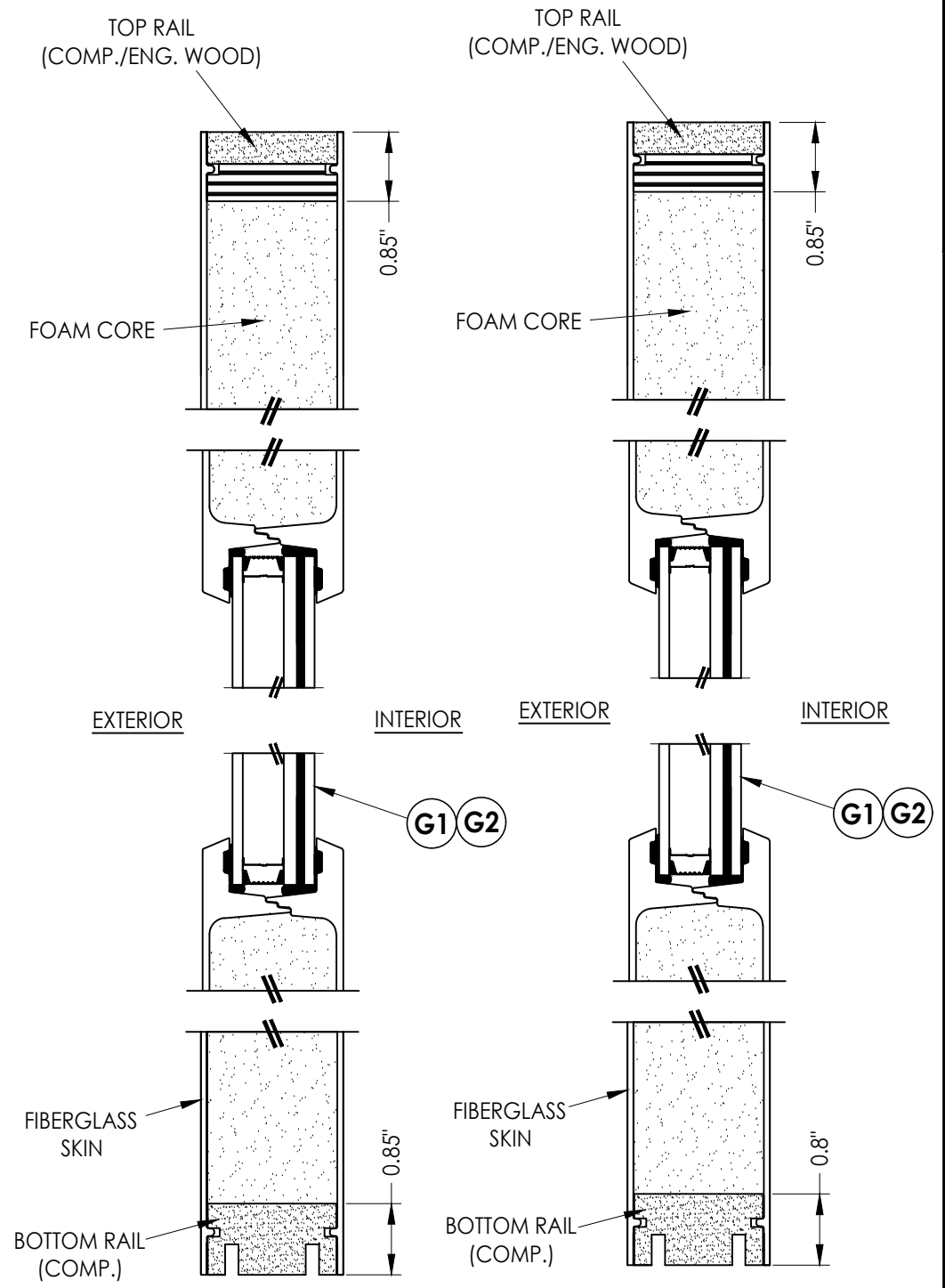


41 FIBERGLASS DOOR PANEL
HYBRID DOOR - COMPOSITE EDGE



42 FIBERGLASS DOOR PANEL
U1 DOOR - COMPOSITE EDGE

FIBERGLASS SKIN: 0.077" MIN. THK.
FOAM CORE: POLYURETHANE -1.9 PCF MIN.



3
2 VERTICAL CROSS SECTION

4
2 VERTICAL CROSS SECTION

Documents Prepared By:
Lyndon F. Schmidt
P.E. No. 43409

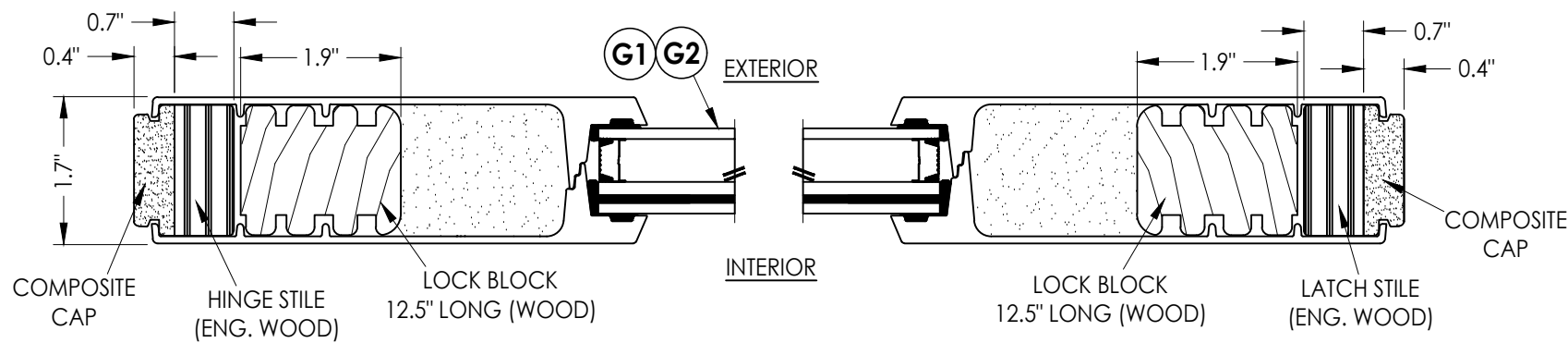
PRODUCT:
THERMA-TRU
FIBERGLASS DOOR

PART OR ASSEMBLY:
DOOR PANEL DETAILS

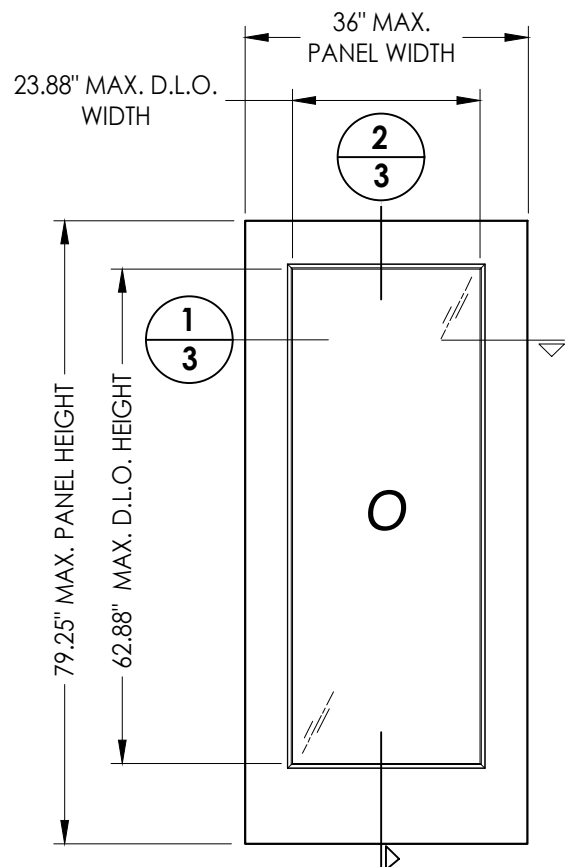
NO.	DATE	BY	REVISIONS

DATE: 6/17/24
SCALE: N.T.S.
DWG. BY: LFS
CHK. BY: RW
DRAWING NO.: FL-46832.2
SHEET 2 OF 13

RW BUILDING CONSULTANTS, INC.
P.O. Box 230, Valrico, FL 33595
Phone No.: 813.659.9197
FBPE Registry No. 9813

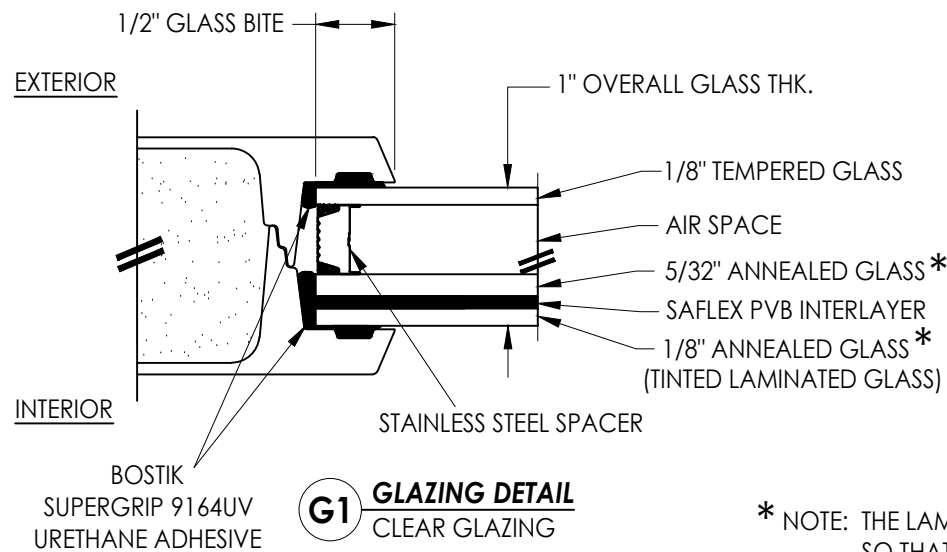


1
3 HORIZONTAL CROSS SECTION



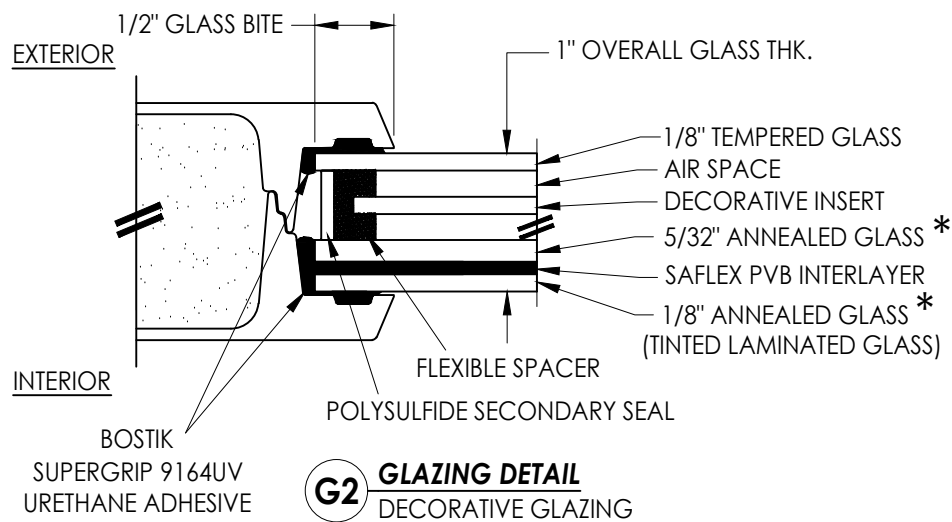
50 FIBERGLASS DOOR PANEL
COMPOSITE EDGE

FIBERGLASS SKIN: 0.077" MIN. THK.
FOAM CORE: POLYURETHANE -1.9 PCF MIN.

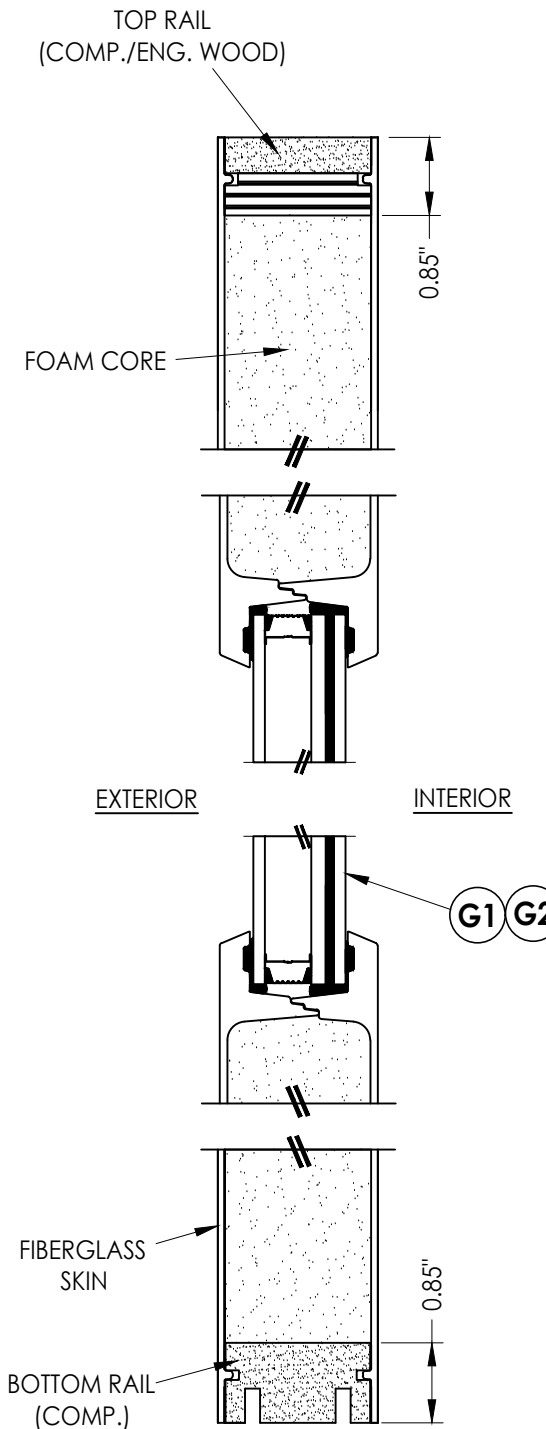


G1 GLAZING DETAIL
CLEAR GLAZING

* NOTE: THE LAMINATED GLASS MAY BE FLIPPED SO THAT THE 5/32" ANNEALED GLASS IS ADJACENT TO THE FLUSH GLAZING FRAME.



G2 GLAZING DETAIL
DECORATIVE GLAZING



2
3 VERTICAL CROSS SECTION

Documents Prepared By:
Lyndon F. Schmidt
P.E. No. 43409

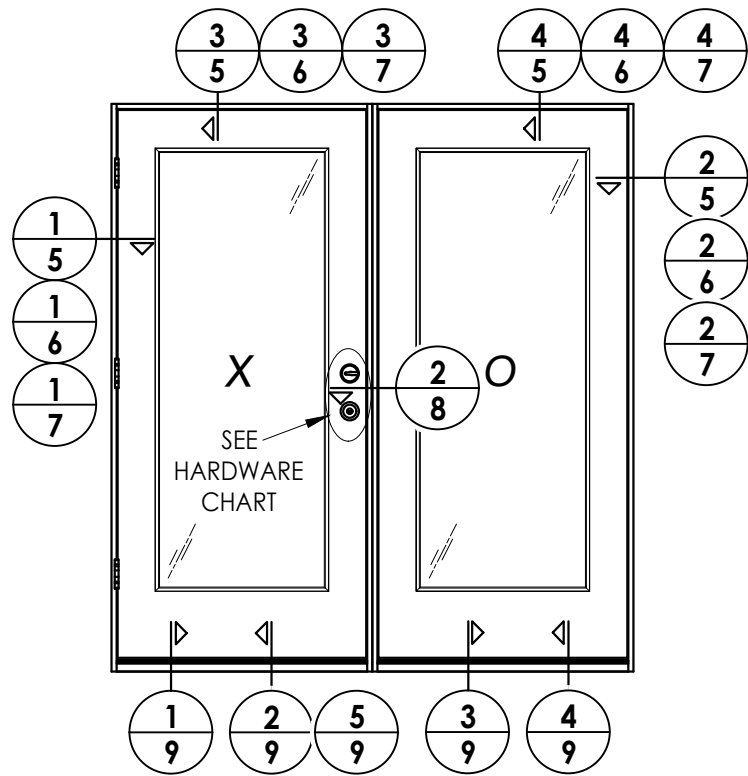
RW BUILDING CONSULTANTS, INC.
P.O. Box 230, Valrico, FL 33595
Phone No.: 813.659.9197
FBPE Registry No. 9813

PRODUCT:
THERMA-TRU
FIBERGLASS DOOR

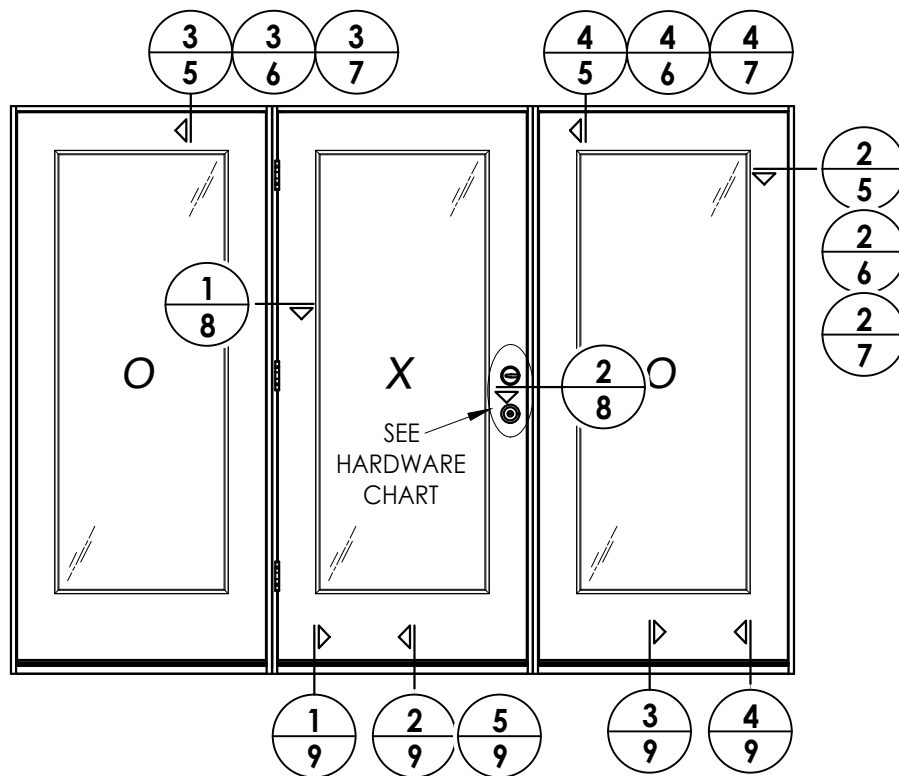
PART OR ASSEMBLY:
SIDELITE PANEL
& GLAZING DETAILS

NO.	DATE	BY

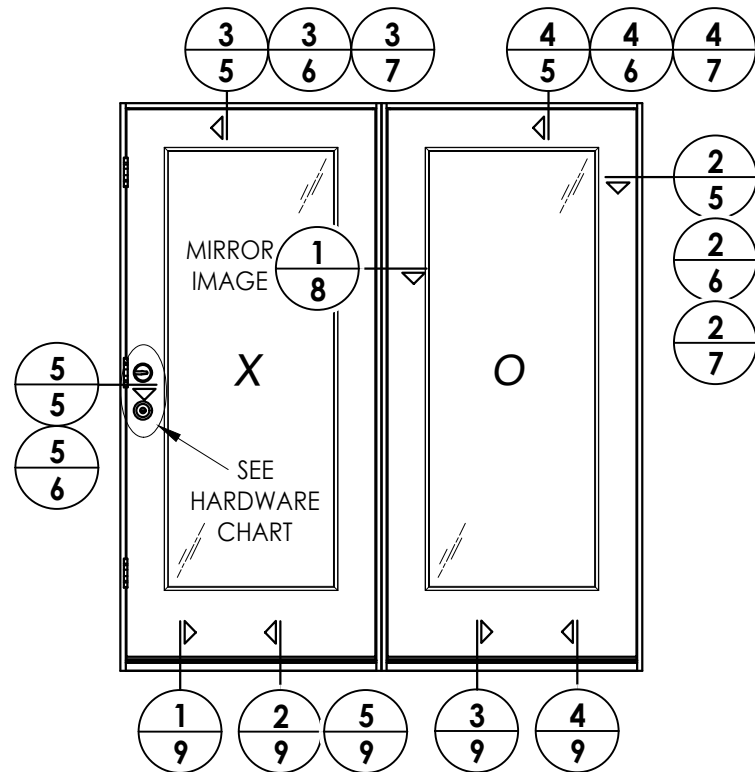
DATE: 6/17/24
SCALE: N.T.S.
DWG. BY: LFS
CHK. BY: RW
DRAWING NO.: FL-46832.2
SHEET 3 OF 13



ELEVATION
XO



ELEVATION
OXO



ELEVATION
XO

HARDWARE TABLE	
MANUFACTURER	MODEL
SCHLAGE	KNOB: F51 DEADBOLT: B60
KWIKSET	KNOB: SIGNATURE SERIES DEADBOLT: SIGNATURE SERIES (980)
HOPPE (THERMA-TRU)	MULTIPOINT : MPDGART (3 pt. Manual Tongue)

Documents Prepared By:
Lyndon F. Schmidt
P.E. No. 43409

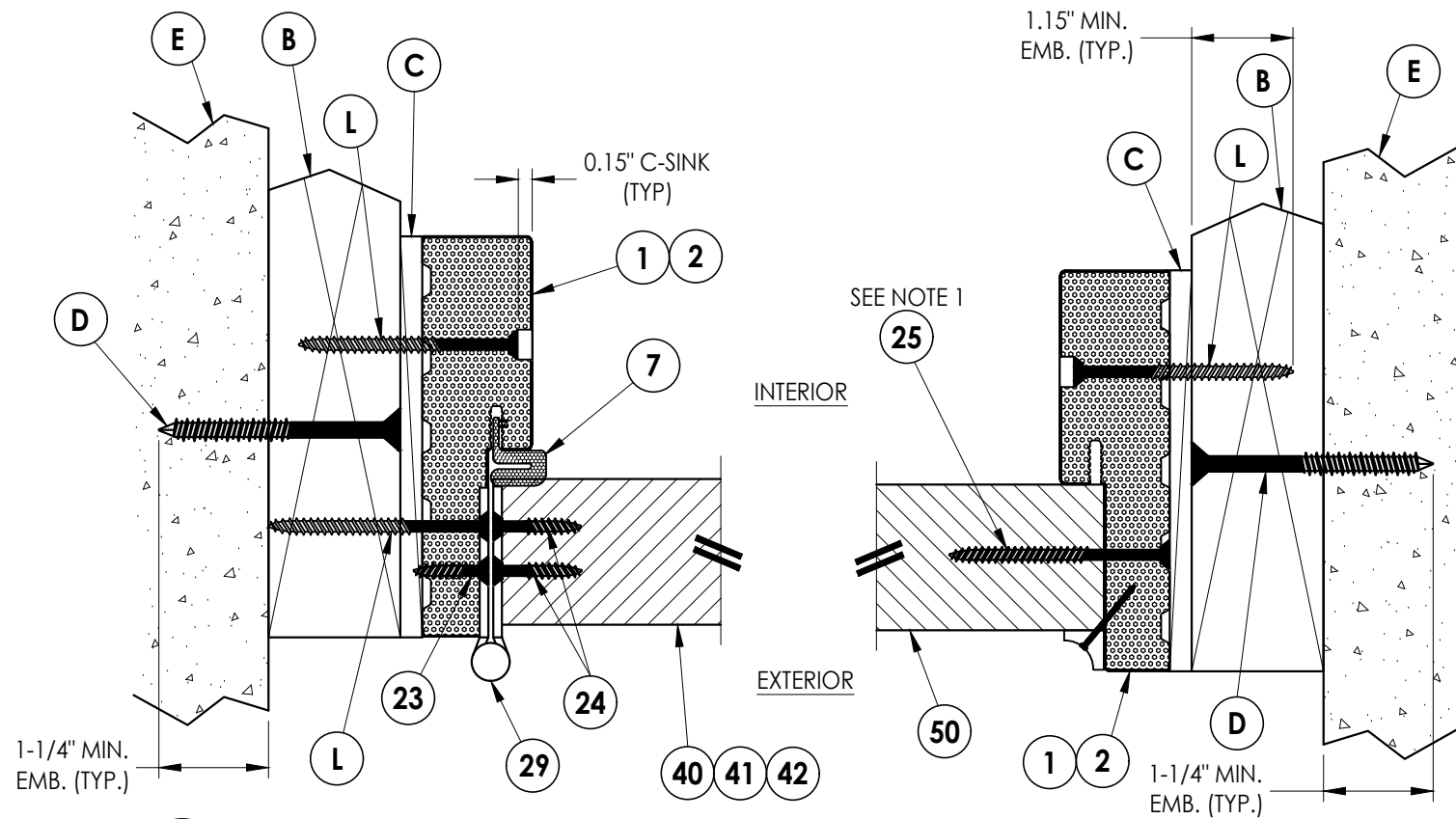
RW BUILDING CONSULTANTS, INC.
P.O. Box 230, Valrico, FL 33595
Phone No.: 813.659.9197
FBPE Registry No. 9813

PRODUCT:
THERMA-TRU
FIBERGLASS DOOR

PART OR ASSEMBLY:
ELEVATIONS

NO.	DATE	REVISIONS	BY

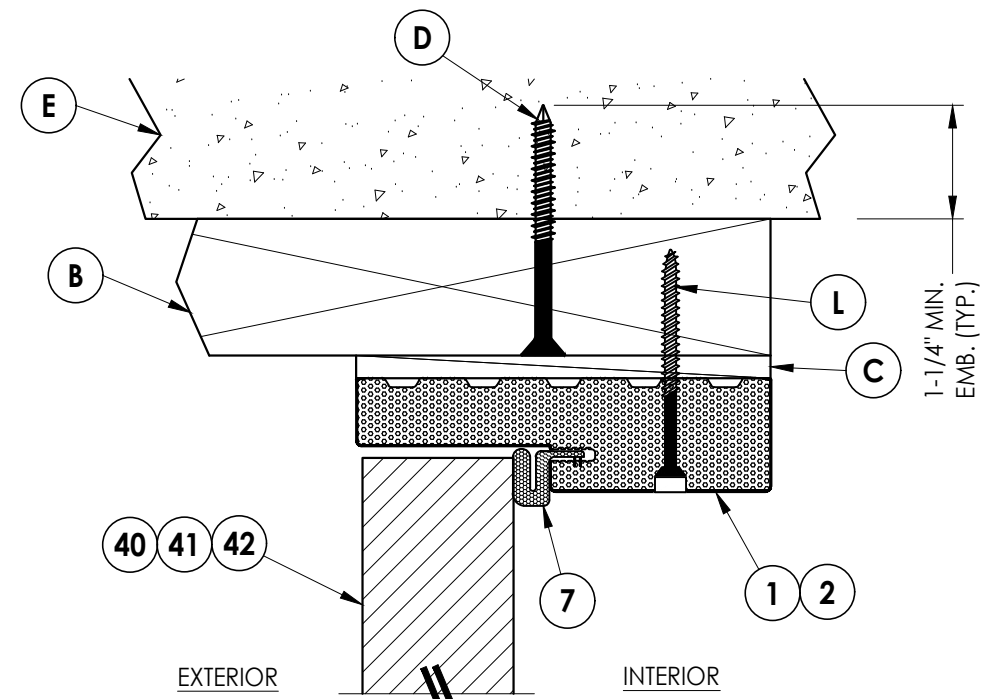
DATE: 6/17/24
SCALE: N.T.S.
DWG. BY: LFS
CHK. BY: RW
DRAWING NO.:
FL-46832.2
SHEET 4 OF 13



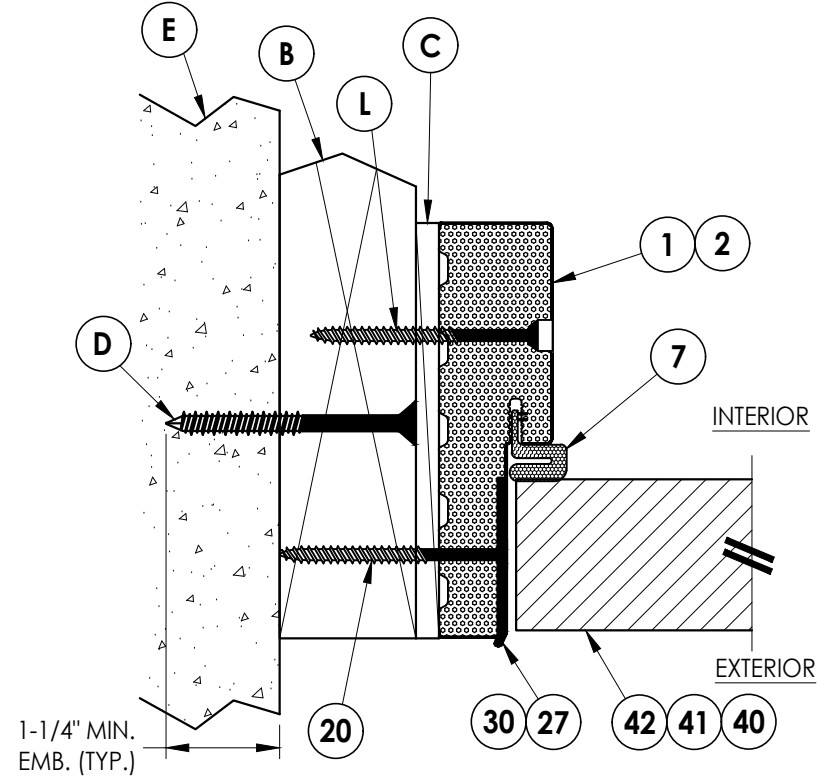
1 HORIZONTAL CROSS SECTION
5 Shown w/ 2X Buck
 Outswing shown (Inswing similar)

2 HORIZONTAL CROSS SECTION
5 Shown w/ 2X Buck
 Outswing shown (Inswing similar)

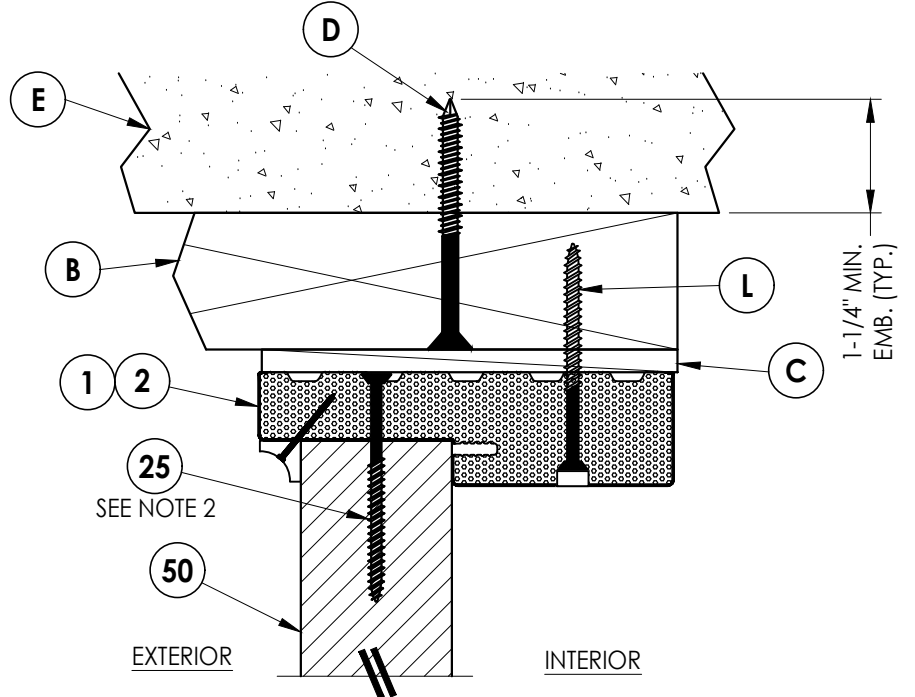
Notes:
 1. Sidelite assembly screws located 6" from each end and 6 more screws equally spaced between (8 screws total per side jamb).
 2. Sidelite assembly screws located 3" from each end and @ centerline (3 screws along head jamb).
 3. PVC/Wood Moulding secured w/ 16 GA. X 1" brad nails located 1" from ends & 10" o.c. max.



3 VERTICAL CROSS SECTION
5 Shown w/ 2X Buck
 Outswing shown (Inswing similar)



5 HORIZONTAL CROSS SECTION
5 Shown w/ 2X Buck
 Outswing shown (Inswing similar)



4 VERTICAL CROSS SECTION
5 Shown w/ 2X Buck
 Outswing shown (Inswing similar)

Documents Prepared By:
 Lyndon F. Schmidt
 P.E. No. 43409

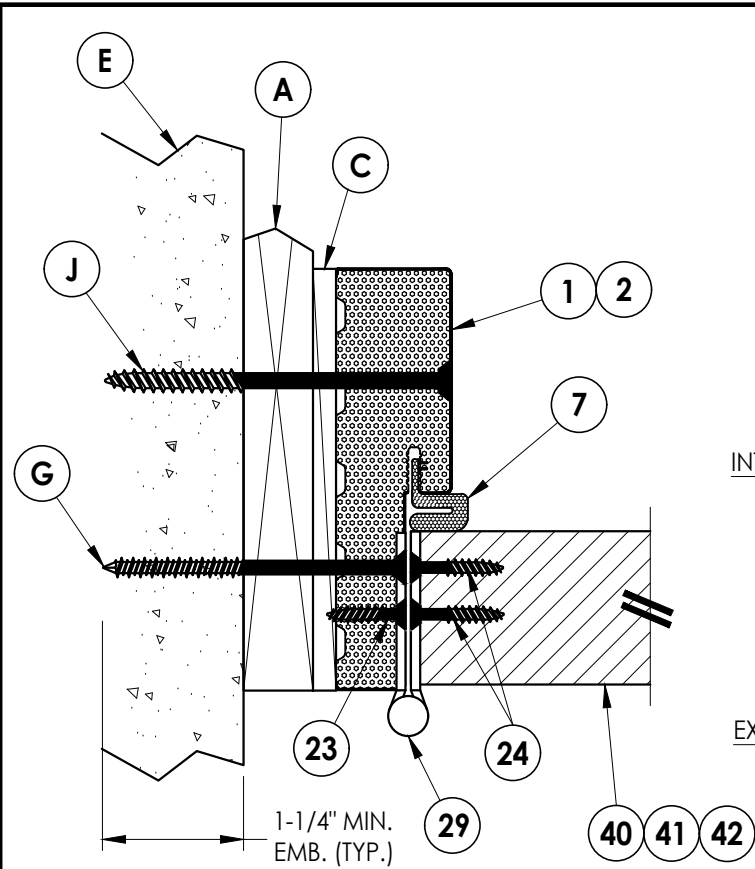
RW BUILDING CONSULTANTS, INC.
 P.O. Box 230, Vairico, FL 33595
 Phone No.: 813.659.9197
 FBPE Registry No. 9813

PRODUCT:
 THERMA-TRU
 FIBERGLASS DOOR

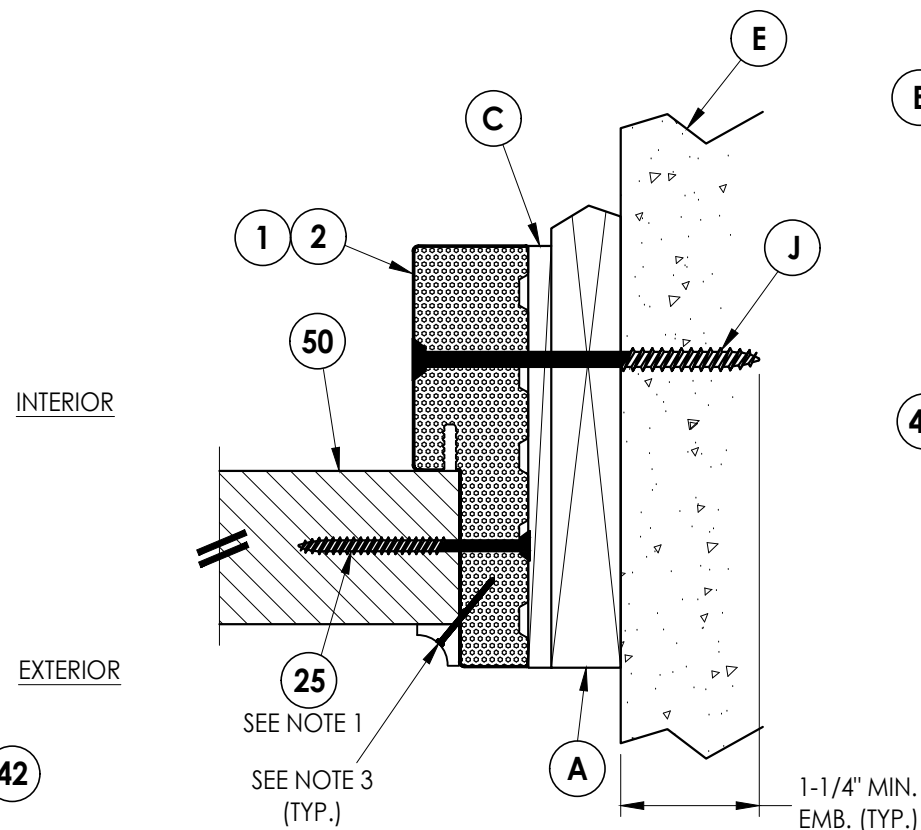
PART OR ASSEMBLY:
 HORIZONTAL & VERTICAL
 CROSS SECTIONS (2X BUCK)

NO.	DATE	BY	REVISIONS

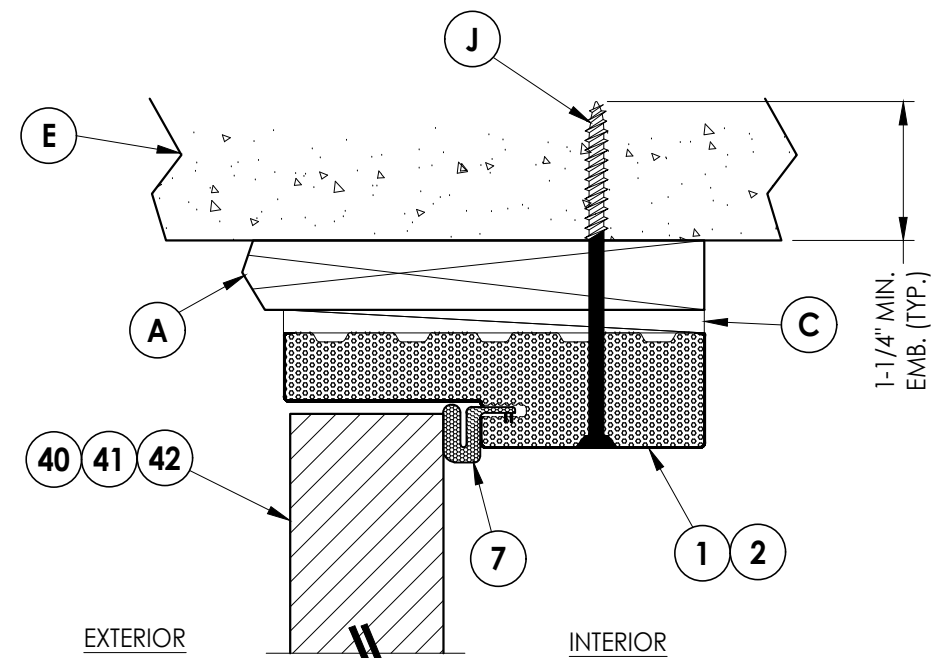
DATE: 6/17/24
 SCALE: N.T.S.
 DWG. BY: LFS
 CHK. BY: RW
 DRAWING NO.: FL-46832.2
 SHEET 5 OF 13



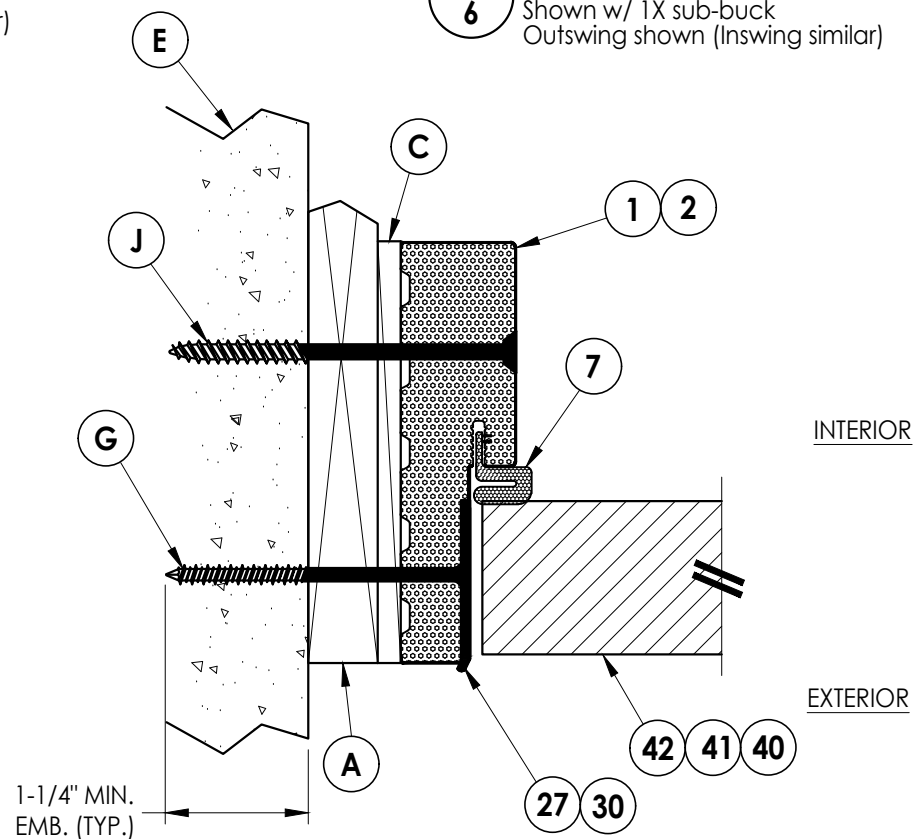
1 **HORIZONTAL CROSS SECTION**
 Shown w/ 1X sub-buck
 Outswing shown (Inswing similar)



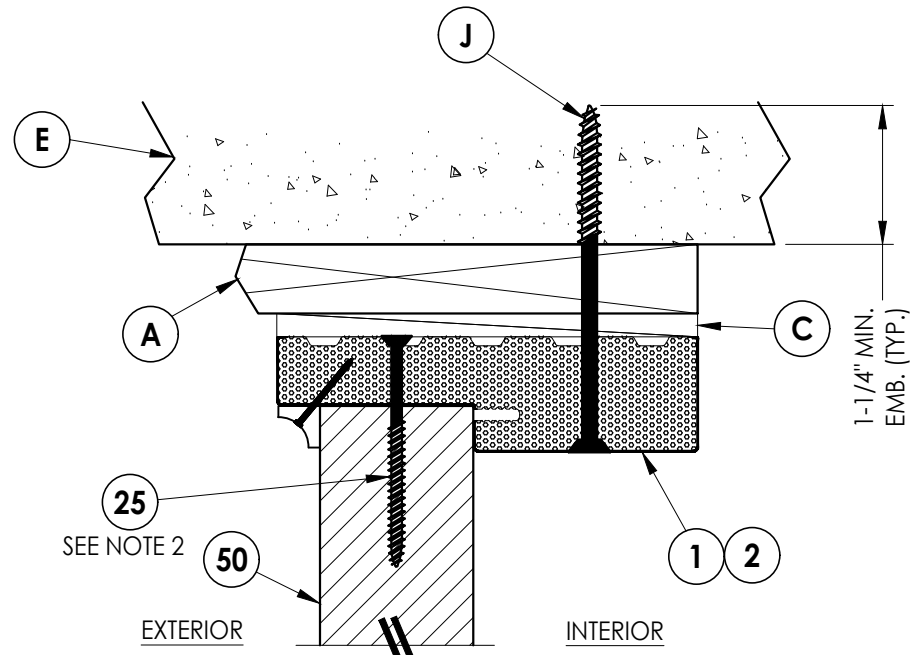
2 **HORIZONTAL CROSS SECTION**
 Shown w/ 1X sub-buck
 Outswing shown (Inswing similar)



3 **VERTICAL CROSS SECTION**
 Shown w/ 1X sub-buck
 Outswing shown (Inswing similar)



5 **HORIZONTAL CROSS SECTION**
 Shown w/ 1X sub-buck
 Outswing shown (Inswing similar)



4 **VERTICAL CROSS SECTION**
 Shown w/ 1X sub-buck
 Outswing shown (Inswing similar)

- Notes:
- Sidelite assembly screws located 6" from each end and 6 more screws equally spaced between (8 screws total per side jamb).
 - Sidelite assembly screws located 3" from each end and @ centerline (3 screws along head jamb).
 - PVC/Wood Moulding secured w/ 16 GA. X 1" brad nails located 1" from ends & 10" o.c. max.

Documents Prepared By:
 Lyndon F. Schmidt
 P.E. No. 43409

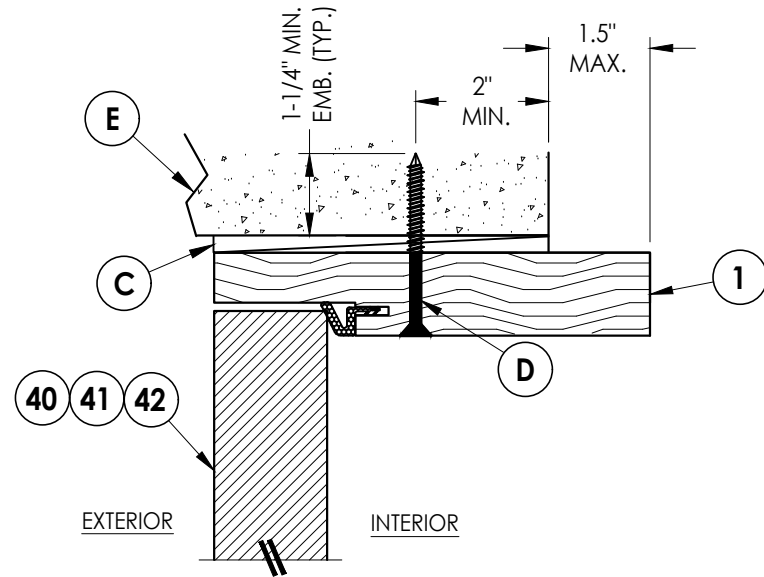
RW BUILDING CONSULTANTS, INC.
 P.O. Box 230, Vairico, FL 33595
 Phone No.: 813.659.9197
 FBPE Registry No. 9813

PRODUCT: THERMA-TRU FIBERGLASS DOOR
 PART OR ASSEMBLY: HORIZONTAL & VERTICAL CROSS SECTIONS (1X BUCK)

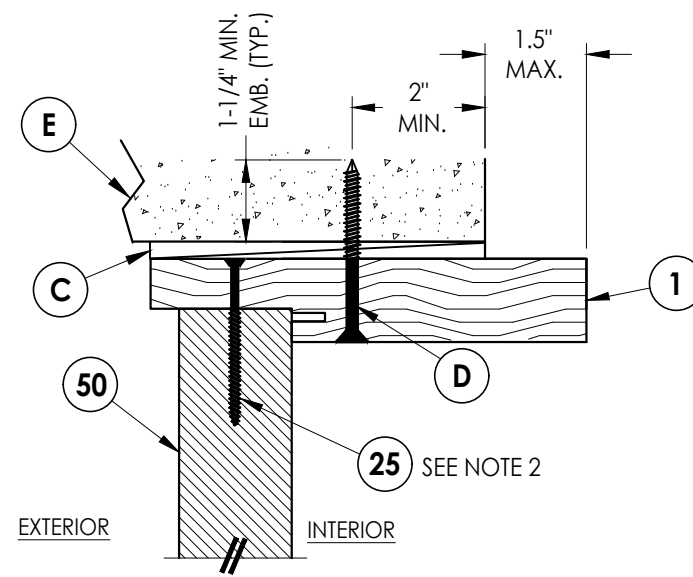
NO.	DATE	BY	REVISIONS

DATE: 6/17/24
 SCALE: N.T.S.
 DWG. BY: LFS
 CHK. BY: RW
 DRAWING NO.: FL-46832.2
 SHEET 6 OF 13

© 2024 RW BUILDING CONSULTANTS INC.



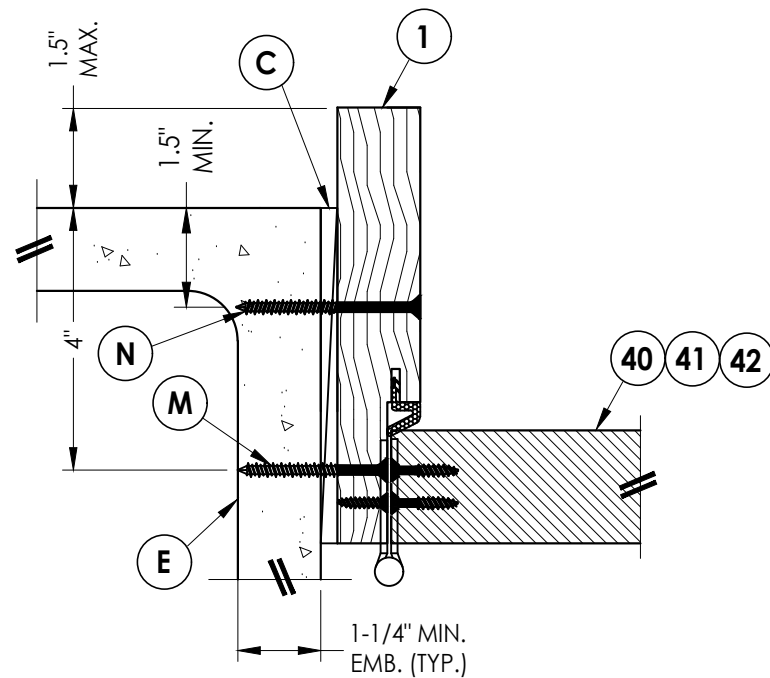
3 **HORIZONTAL CROSS SECTION**
7 Shown Direct to Masonry
 Outswing only w/ 6-9/16" jamb



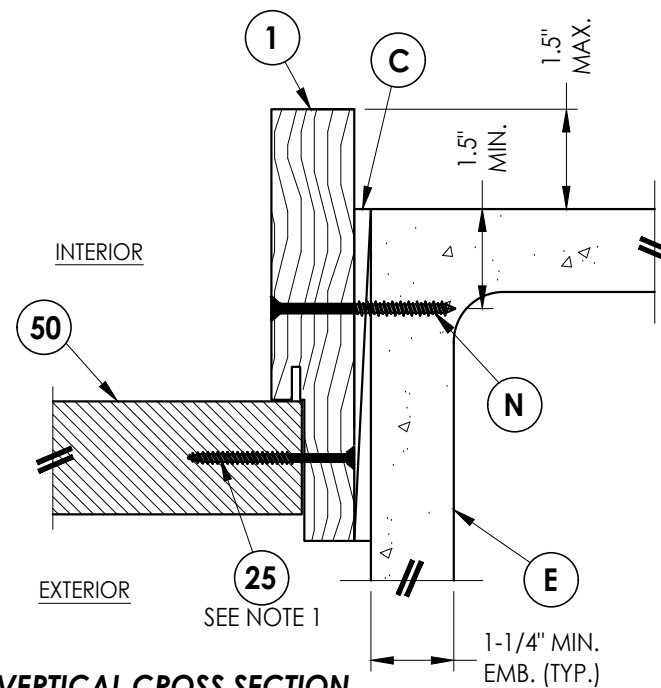
4 **VERTICAL CROSS SECTION**
7 Shown Direct to Masonry
 Outswing only w/ 6-9/16" jamb

Note:

- Sidelite assembly screws located 6" from each end plus 6 more equally spaced between (8 screws total per side jamb).
- Sidelite assembly screws located 3" from each end & at centerline (3 screws total @ head).



1 **HORIZONTAL CROSS SECTION**
7 Shown Direct to Masonry
 Outswing only w/ 6-9/16" jamb



2 **VERTICAL CROSS SECTION**
7 Shown Direct to Masonry
 Outswing only w/ 6-9/16" jamb

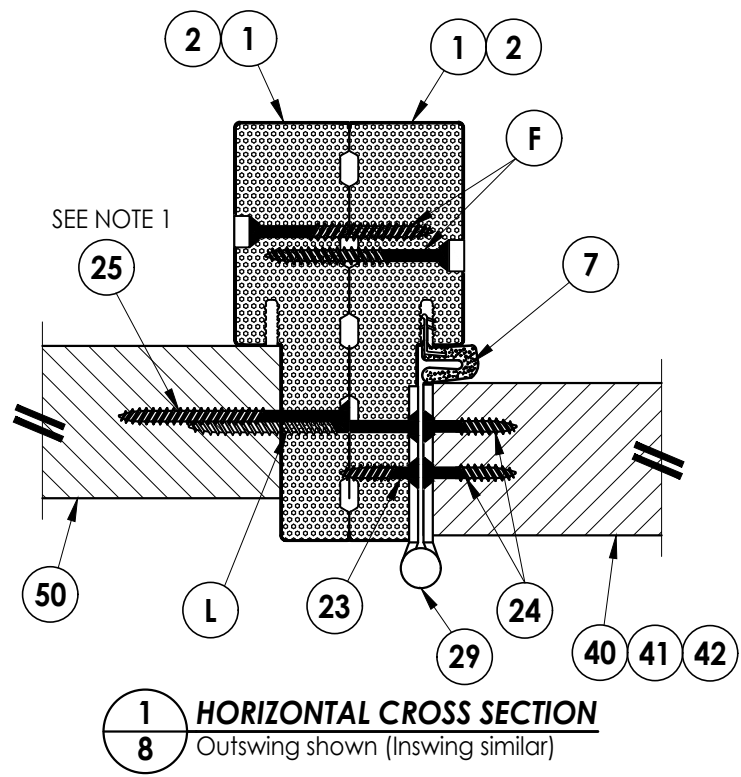
Documents Prepared By:
 Lyndon F. Schmidt
 P.E. No. 43409

RW BUILDING CONSULTANTS, INC.
 P.O. Box 230, Valrico, FL 33595
 Phone No.: 813.659.9197
 FBPE Registry No. 9813

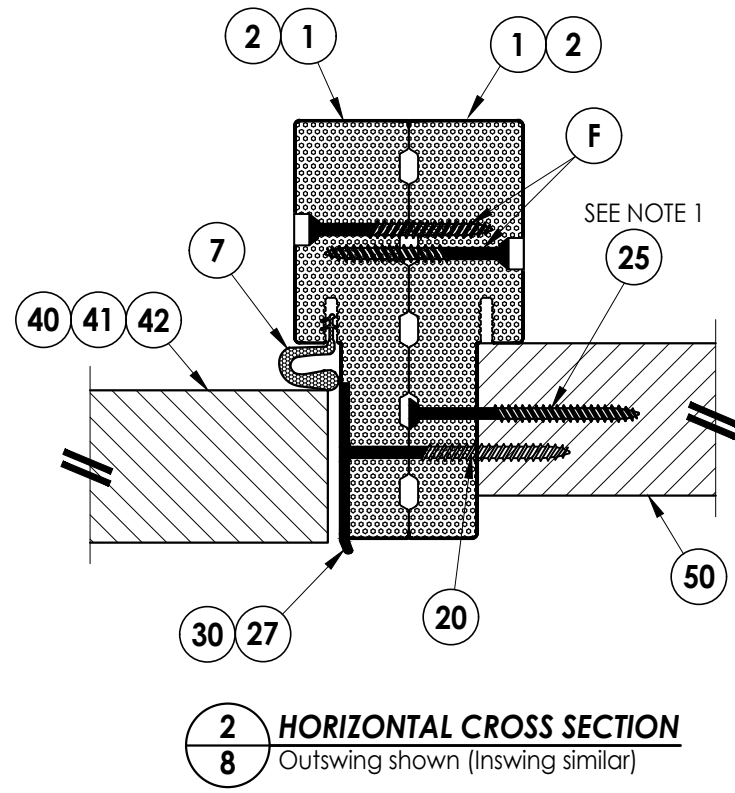
PRODUCT: THERMA-TRU
 FIBERGLASS DOOR
 PART OR ASSEMBLY:
 HORIZONTAL & VERTICAL
 SECTIONS (DIRECT TO MASONRY)

NO.	DATE	BY	REVISIONS

DATE: 6/17/24
 SCALE: N.T.S.
 DWG. BY: RW
 CHK. BY: LFS
 DRAWING NO.: FL-46832.2
 SHEET 7 OF 13



- Notes:
1. Sidelite assembly screws located 6" from each end and 6 more screws equally spaced between (8 screws total per side jamb).
 2. Sidelite assembly screws located 3" from each end and @ centerline (3 screws along head jamb).
 3. PVC/Wood Moulding secured w/ 16 GA. X 1" brad nails located 1" from ends & 10" o.c. max.



DATE:	6/17/24
SCALE:	N.T.S.
DWG. BY:	LFS
CHK. BY:	RW
DRAWING NO.:	FL-46832.2
SHEET	8 OF 13

NO.	DATE	BY	REVISIONS

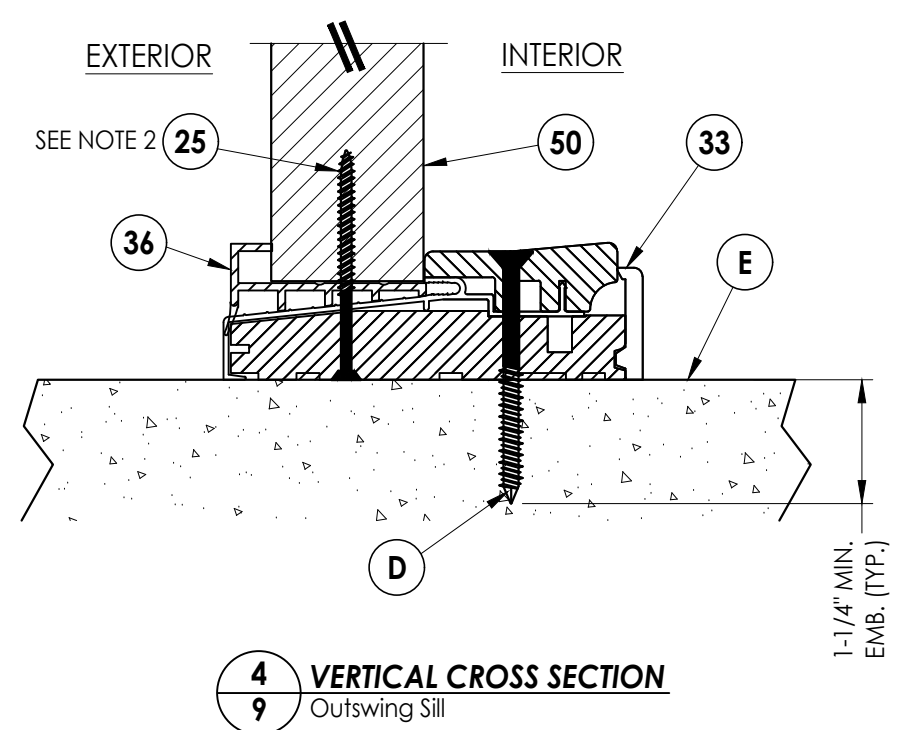
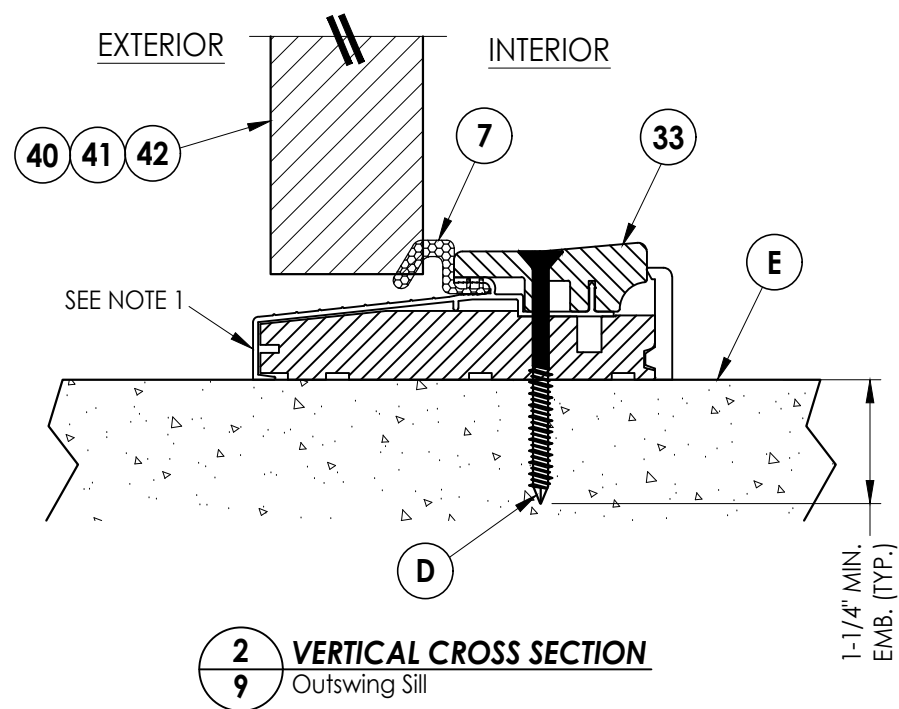
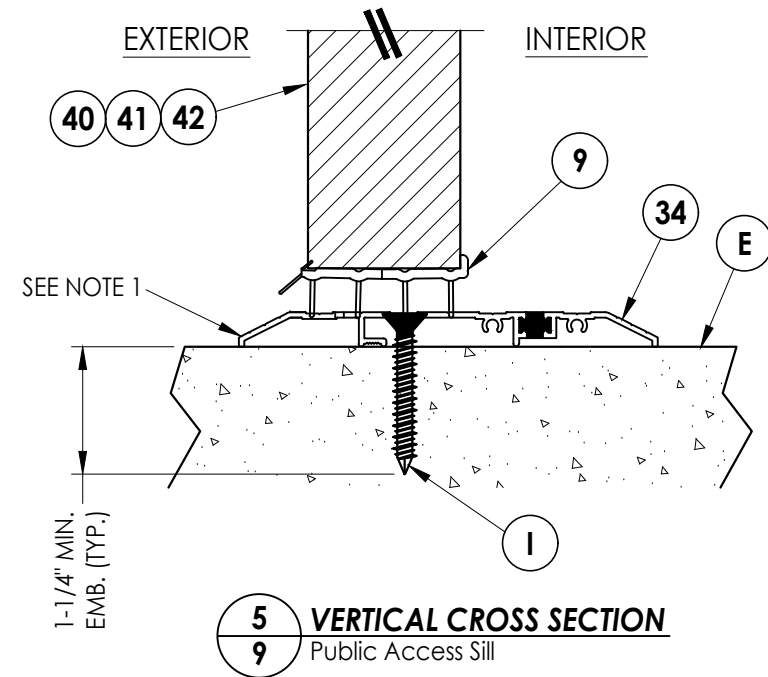
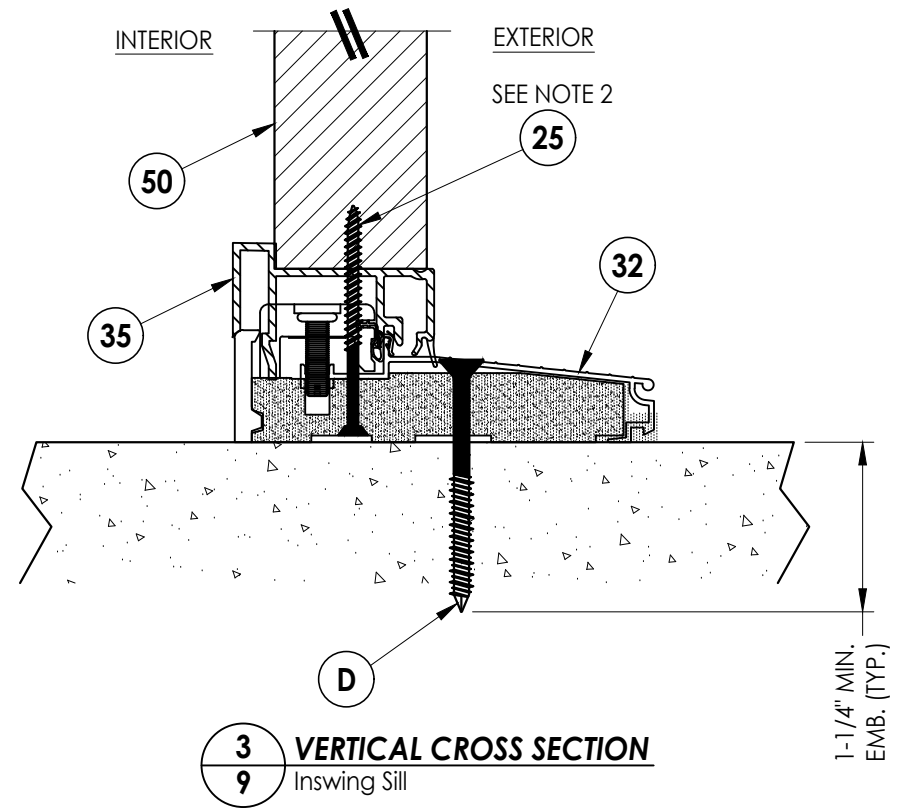
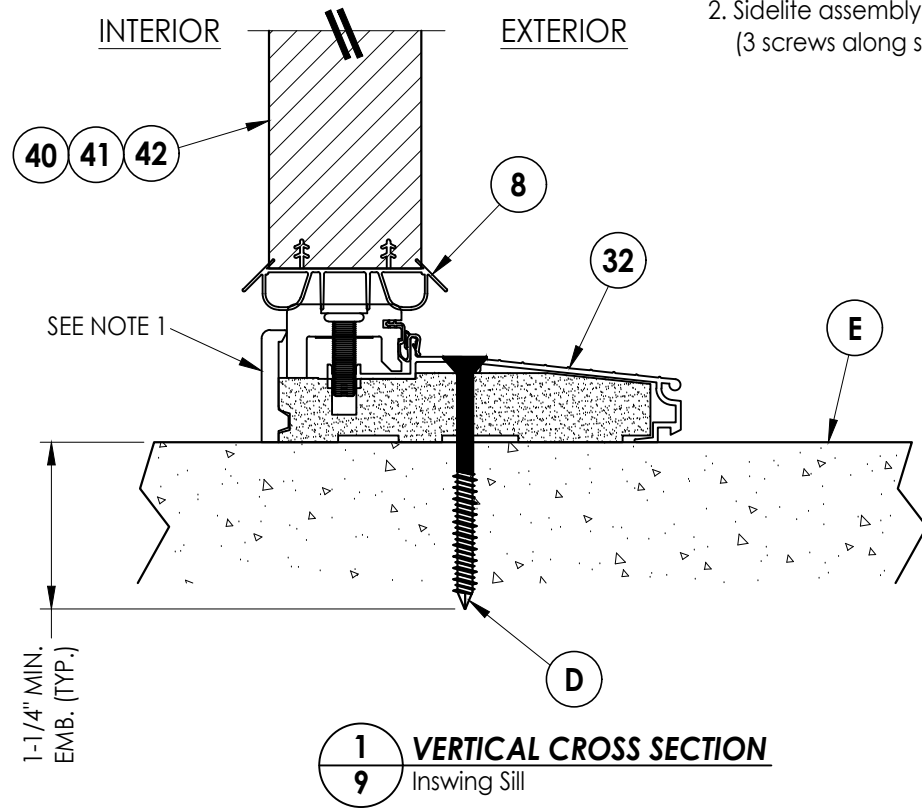
PRODUCT:	THERMA-TRU FIBERGLASS DOOR
PART OR ASSEMBLY:	HORIZONTAL CROSS SECTIONS

Documents Prepared By:
Lyndon F. Schmidt
P.E. No. 43409

RW BUILDING CONSULTANTS, INC.
P.O. Box 230, Valrico, FL 33595
Phone No.: 813.659.9197
FBPE Registry No. 9813

Notes:

- Sill Item #32 is attached to jambs w/ (3) #8 X 2-1/2" pfh screws at each end.
Sill Item #33 is attached to jambs w/ (2) #8 X 2-1/2" pfh screws at each end.
Sill Item #34 is attached to jambs utilizing (2) #10 X 2" pph SMS at each end.
- Sidelite assembly screws located 3" from each end and @ centerline (3 screws along sill).



Documents Prepared By:
Lyndon F. Schmidt
P.E. No. 43409

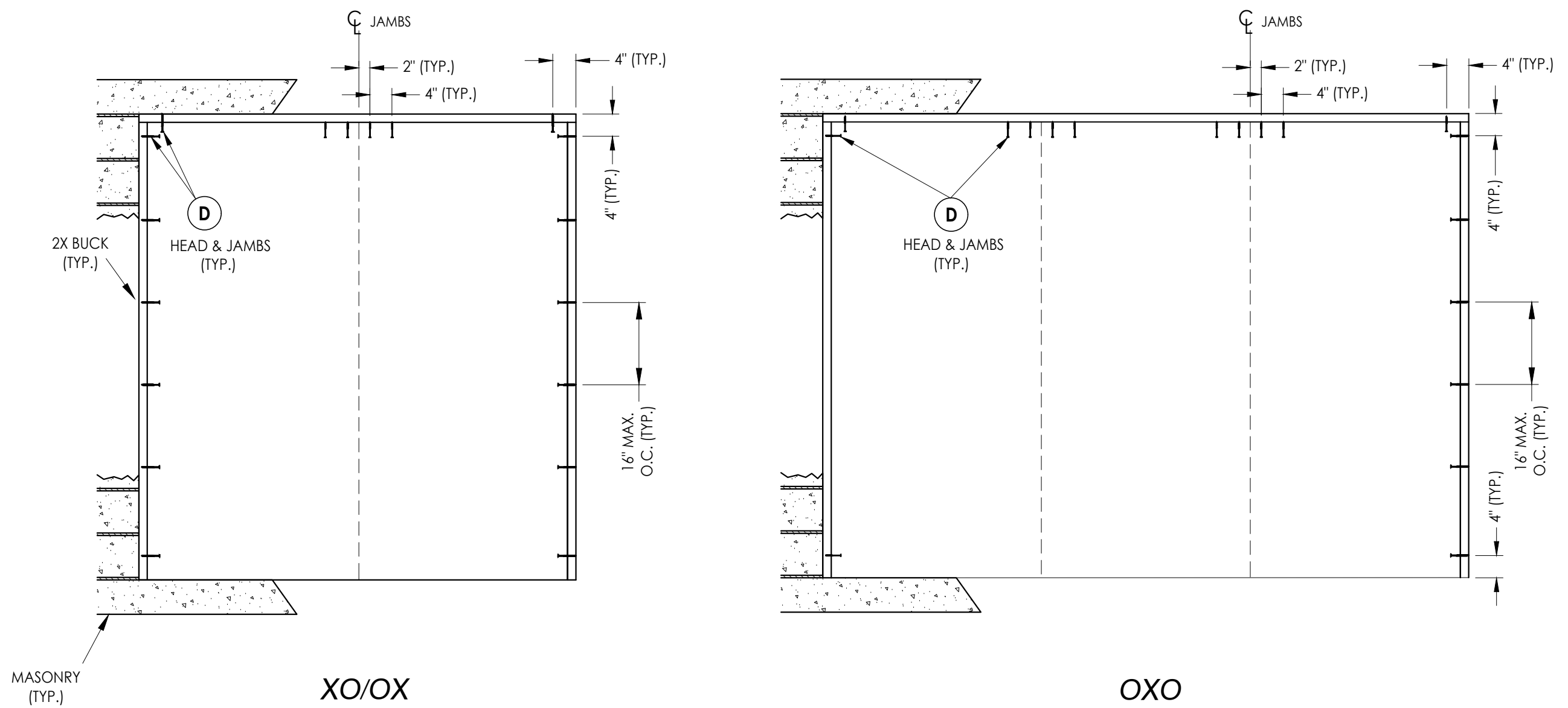
RW BUILDING CONSULTANTS, INC.
P.O. Box 230, Valrico, FL 33595
Phone No.: 813.659.9197
FBPE Registry No. 9813

PRODUCT:
THERMA-TRU
FIBERGLASS DOOR

PART OR ASSEMBLY:
VERTICAL CROSS
SECTIONS (THRESHOLDS)

NO.	DATE	BY

DATE:	6/17/24
SCALE:	N.T.S.
DWG. BY:	LFS
CHK. BY:	RW
DRAWING NO.:	FL-46832.2
SHEET	9 of 13



2X BUCK ANCHORING

Documents Prepared By:
 Lyndon F. Schmidt
 P.E. No. 43409

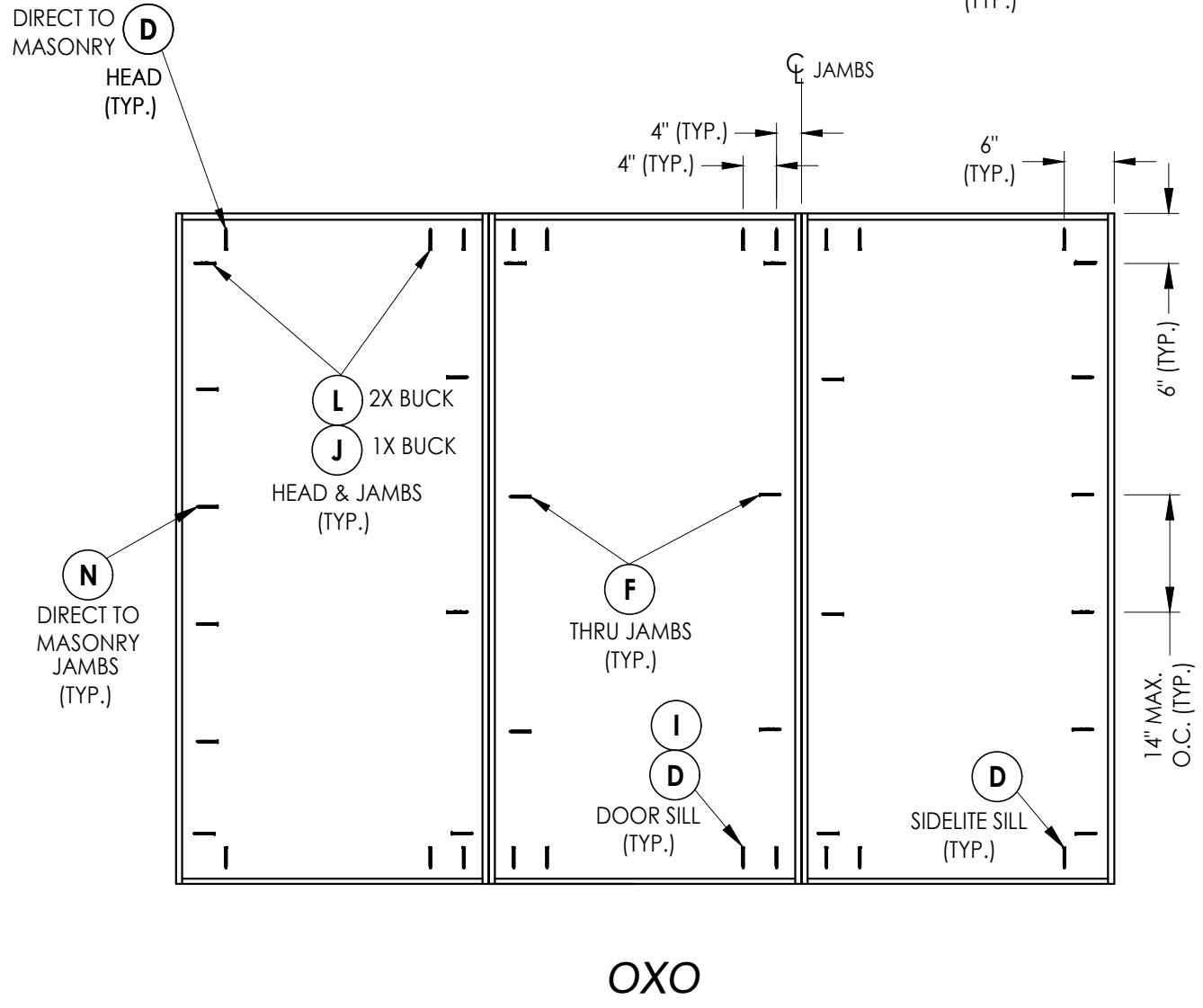
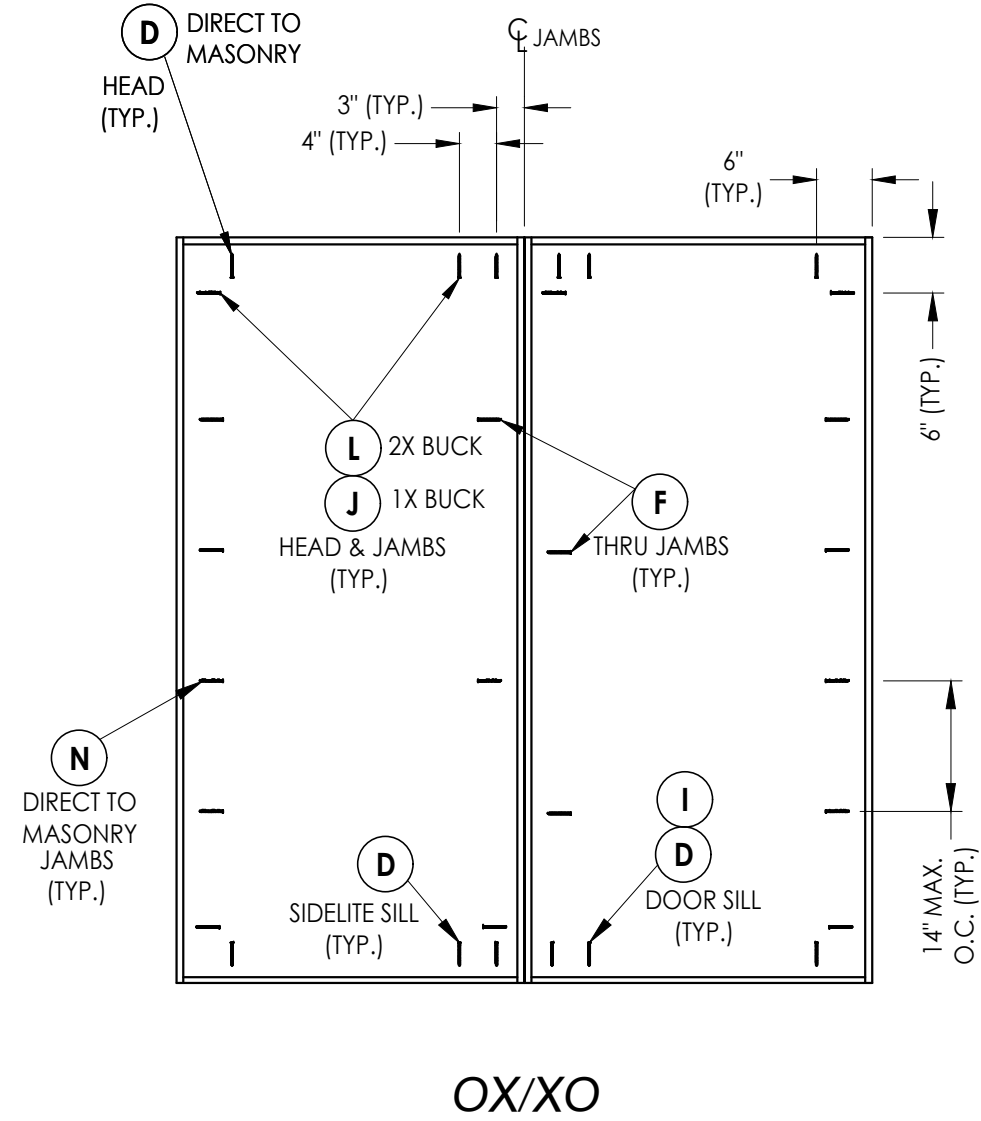
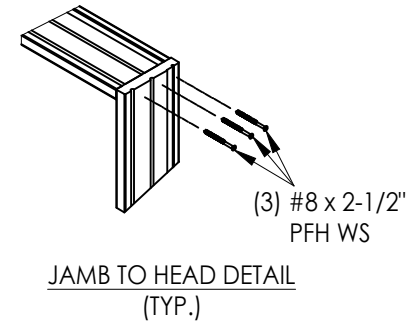
RW BUILDING CONSULTANTS, INC.
 P.O. Box 230, Valrico, FL 33595
 Phone No.: 813.659.9197
 FBPE Registry No. 9813

PRODUCT: THERMA-TRU FIBERGLASS DOOR

PART OR ASSEMBLY: BUCK ANCHORING

REVISIONS	
NO.	DATE

DATE: 6/17/24
 SCALE: N.T.S.
 DWG. BY: LFS
 CHK. BY: RW
 DRAWING NO.: FL-46832.2
 SHEET 10 OF 13



FRAME ANCHORING

Documents Prepared By:
Lyndon F. Schmidt
P.E. No. 43409

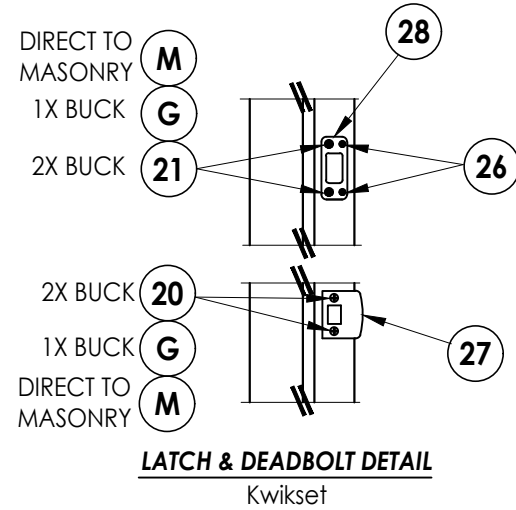
RW BUILDING CONSULTANTS, INC.
P.O. Box 230, Valrico, FL 33595
Phone No.: 813.659.9197
FBPE Registry No. 9813

PRODUCT: THERMA-TRU FIBERGLASS DOOR

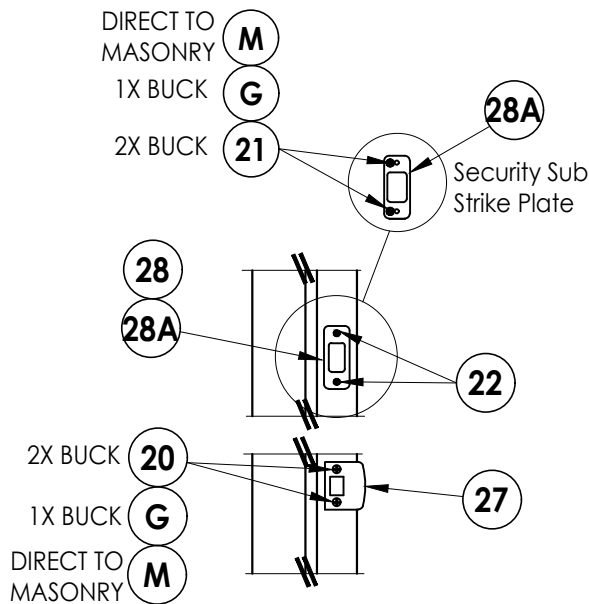
PART OR ASSEMBLY: FRAME ANCHORING

NO.	DATE	BY	REVISIONS

DATE: 6/17/24
SCALE: N.T.S.
DWG. BY: LFS
CHK. BY: RW
DRAWING NO.: FL-46832.2
SHEET 11 OF 13

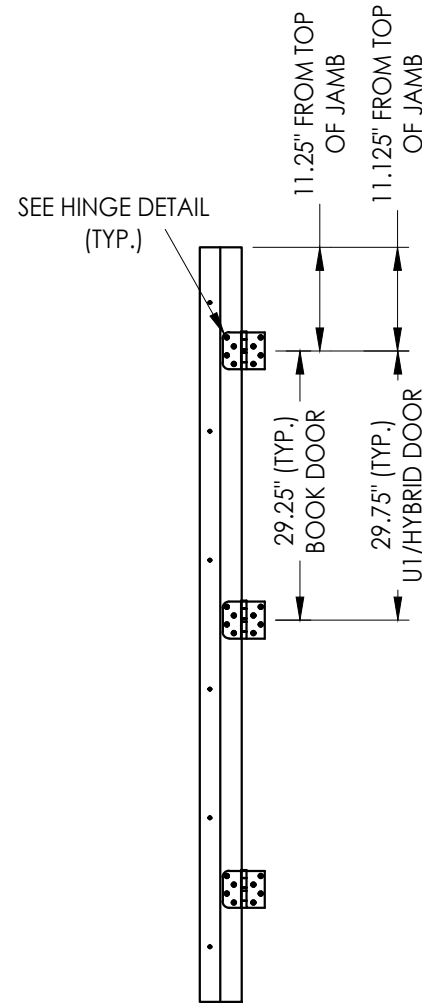
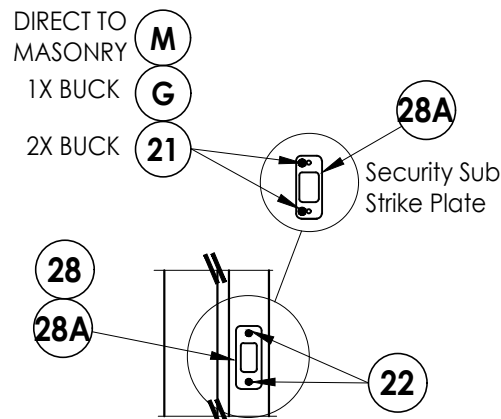


LATCH & DEADBOLT DETAIL
Kwikset

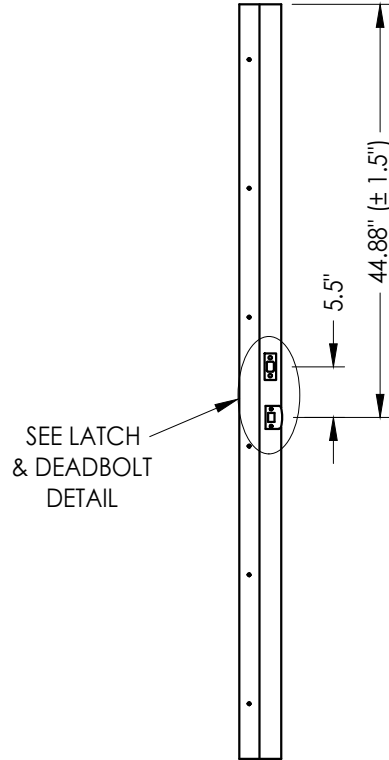


LATCH & DEADBOLT DETAIL
Schlage

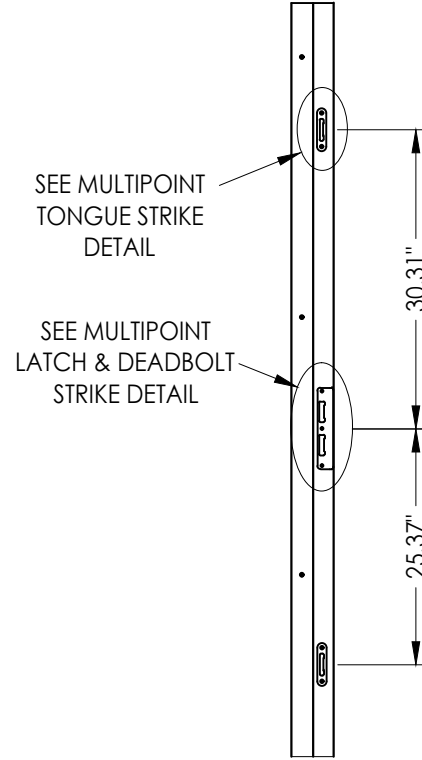
LATCH & DEADBOLT STRIKE DETAILS



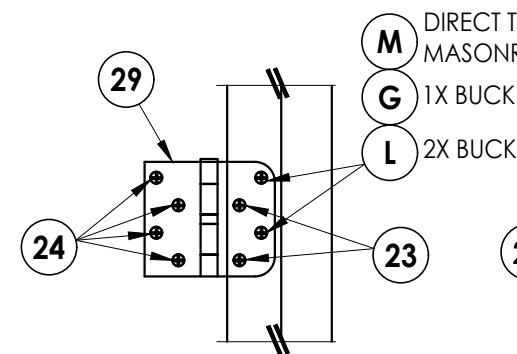
HINGE JAMB



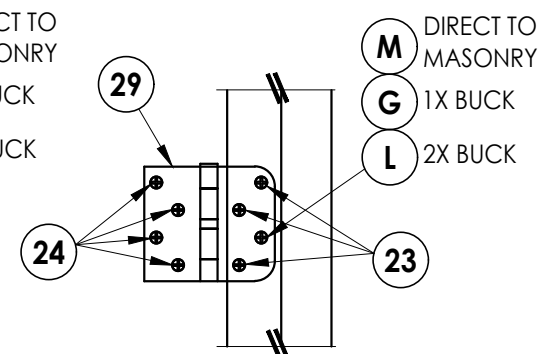
STRIKE JAMB
Latch & Deadbolt



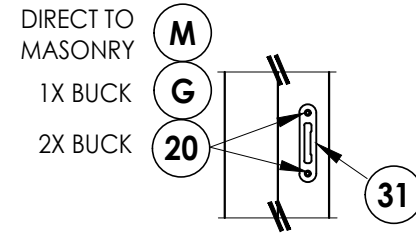
STRIKE JAMB
Multipoint Lock



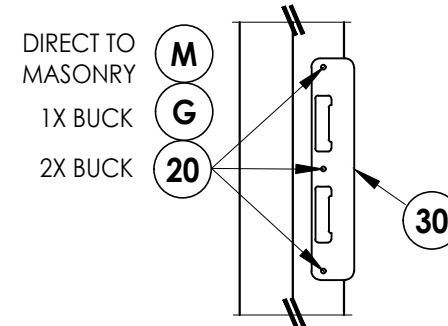
HINGE DETAIL
Inswing



HINGE DETAIL
Outswing



MULTIPOINT TONGUE STRIKE PLATE DETAIL



MULTIPOINT LATCH & DEADBOLT STRIKE PLATE DETAIL

Documents Prepared By:
Lyndon F. Schmidt
P.E. No. 43409

RW BUILDING CONSULTANTS, INC.
P.O. Box 230, Vairico, FL 33595
Phone No.: 813.659.9197
FBPE Registry No. 9813

PRODUCT: THERMA-TRU FIBERGLASS DOOR

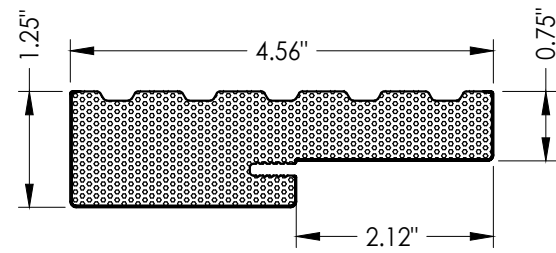
PART OR ASSEMBLY: HARDWARE DETAILS

NO.	DATE	BY

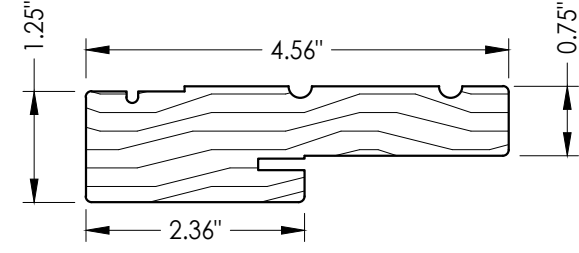
DATE: 6/17/24
SCALE: N.T.S.
DWG. BY: LFS
CHK. BY: RW
DRAWING NO.: FL-46832.2
SHEET 12 OF 13

Z:\2023 FBC Drawings\Therma-Tru\FL-46832\1-3.dwg

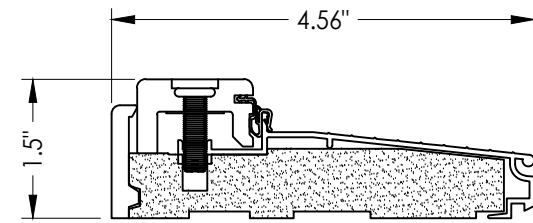
BILL OF MATERIALS		
ITEM #	DESCRIPTION	MATERIAL
A	1X BUCK (G >= 0.42)	WOOD
B	2X BUCK (G >= 0.42)	WOOD
C	1/4" MAX. SHIM SPACE	-
D	1/4" X 2-3/4" PFH DeWALT OR ITW CONCRETE SCREW	STEEL
E	MASONRY - 3,000 PSI MIN. CONCRETE CONFORMING TO ACI 301 OR HOLLOW BLOCK CONFORMING TO ASTM C90	CONCRETE
F	#10 X 2" PFH WOOD SCREW	STEEL
G	3/16" X 3-1/4" PFH ITW CONCRETE SCREW	STEEL
I	1/4" X 2-1/4" PFH DeWALT OR ITW CONCRETE SCREW	STEEL
J	1/4" X 3-3/4" PFH DeWALT OR ITW CONCRETE SCREW	STEEL
L	#10 X 2-1/2" PFH WOOD SCREW (1.15" MIN. EMBEDMENT)	STEEL
M	3/16" X 2-1/4" ITW CONCRETE SCREW	STEEL
N	3/16" X 2-3/4" ITW CONCRETE SCREW	STEEL
1	COMPOSITE JAMB	COMP
2	WOOD JAMB (FINGER JOINT PINE)	WOOD
7	WEATHERSTRIP	FOAM
8	DOOR SWEEP	VINYL
9	SWEEP (USE w/ PUBLIC ACCESS THRESHOLD)	VINYL
20	#8 X 2-1/2" PFH WOOD SCREW	STEEL
21	#12 X 1-1/2" PFH WOOD SCREW	STEEL
22	#8 X 3/4" PFH WOOD SCREW	STEEL
23	#9 X 3/4" PFH WOOD SCREW	STEEL
24	#9 X 1" PFH WOOD SCREW	STEEL
25	#9 X 2-1/2" PFH WOOD SCREW	STEEL
26	#8 X 5/8" PFH WOOD SCREW	STEEL
27	LATCH STRIKE PLATE	STEEL
28	DEADBOLT STRIKE PLATE	STEEL
28A	DEADBOLT SUB-STRIKE PLATE	STEEL
29	4" X 4" HINGE	STEEL
30	MULTIPOINT LATCH & DEADBOLT STRIKE PLATE	STEEL
31	MULTIPOINT TONGUE STRIKE PLATE	STEEL
32	INSWING THRESHOLD	ALUM/COMP
33	OUTSWING THRESHOLD	ALUM/COMP
34	PUBLIC ACCESS THRESHOLD	ALUM
35	SIDELITE SPACER (INSWING)	VINYL
36	SIDELITE SPACER (OUTSWING)	VINYL
40	DOOR PANEL (BOOK)	-
41	DOOR PANEL (HYBRID)	-
42	DOOR PANEL (U1)	-
50	SIDELITE PANEL	-



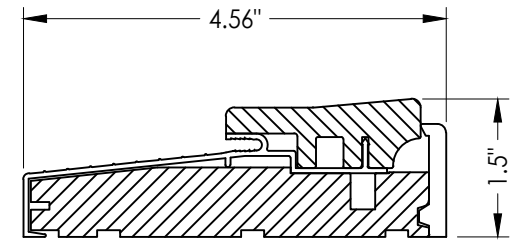
1 COMPOSITE JAMB



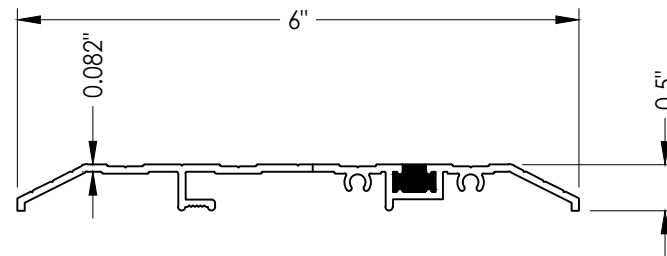
2 WOOD JAMB



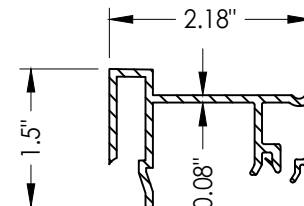
32 INSWING THRESHOLD
Adjustable Composite Sill



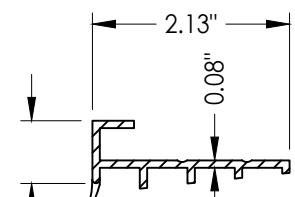
33 OUTSWING THRESHOLD
Composite Sill



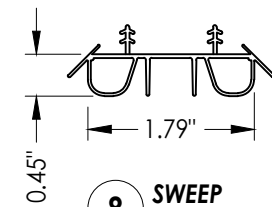
34 PUBLIC ACCESS THRESHOLD



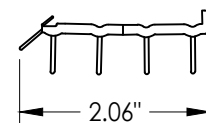
35 SIDELITE SPACER
Inswing



36 SIDELITE SPACER
Outswing



8 SWEEP



9 SWEEP

CONCRETE ANCHOR NOTES:

- Concrete anchor locations at the corners may be adjusted to maintain the min. edge distance to mortar joints.
- Concrete anchor locations noted as "MAX. ON CENTER" must be adjusted to maintain the min. edge distance to mortar joints, additional concrete anchors may be required to ensure the "MAX. ON CENTER" dimension are not exceeded.
- Concrete anchor table:

ANCHOR TYPE	ANCHOR SIZE	MIN. EMBEDMENT	MIN. CLEARANCE TO MASONRY EDGE	MIN. CLEARANCE TO ADJACENT ANCHOR
ITW TAPCON®	1/4"	1-1/4"	2"	4"
DeWALT ULTRACON®	1/4"	1-1/4"	1"	4"
ITW TAPCON®	3/16"	1-1/4"	AS SHOWN	1-1/2"

WOOD SCREW INSTALLATION NOTES:

- Maintain a minimum 5/8" edge distance, 1" end distance, & 1" o.c. spacing of wood screws to prevent the splitting of wood.

Documents Prepared By:
Lyndon F. Schmidt
P.E. No. 43409

RW BUILDING CONSULTANTS, INC.
P.O. Box 230, Valrico, FL 33595
Phone No.: 813.659.9197
FBPE Registry No. 9813

PRODUCT:
THERMA-TRU
FIBERGLASS DOOR

PART OR ASSEMBLY:
BILL OF MATERIALS
& COMPONENTS

NO.	DATE	BY	REVISIONS

DATE: 6/17/24
SCALE: N.T.S.
DWG. BY: LFS
CHK. BY: RW
DRAWING NO.: FL-46832.2
SHEET 13 OF 13